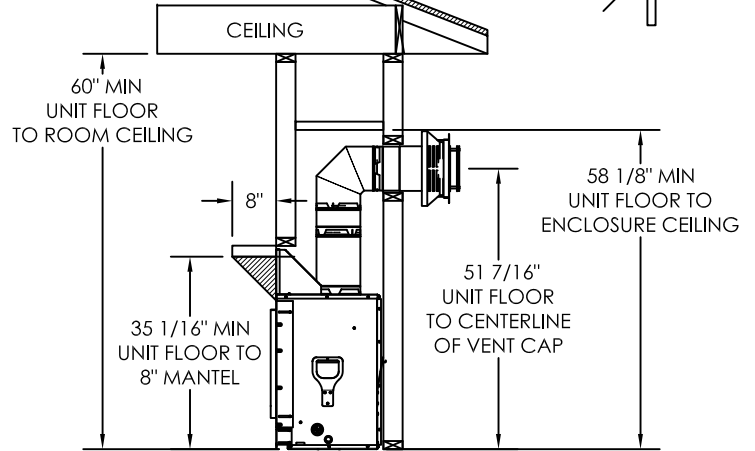
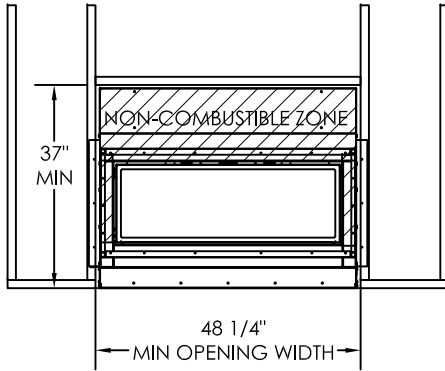
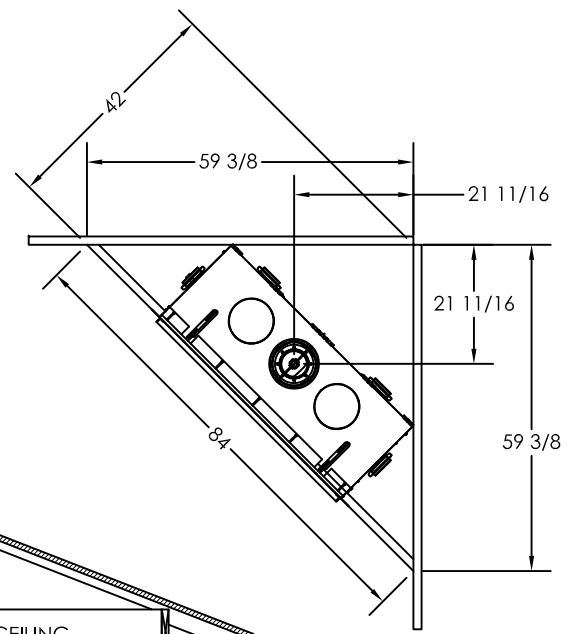
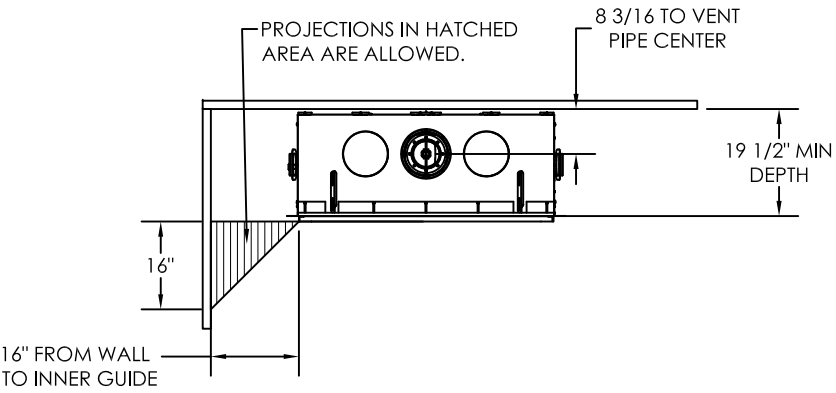


MODEL ML39



CAUTION: The distance from floor level to the centerline of the vent cap is given based on Simpson DuraVent GS components. If using vent components of other brands do not assume that the measurement given here is applicable. Verify the distance to centerline of vent cap by measuring the components you will be using.

