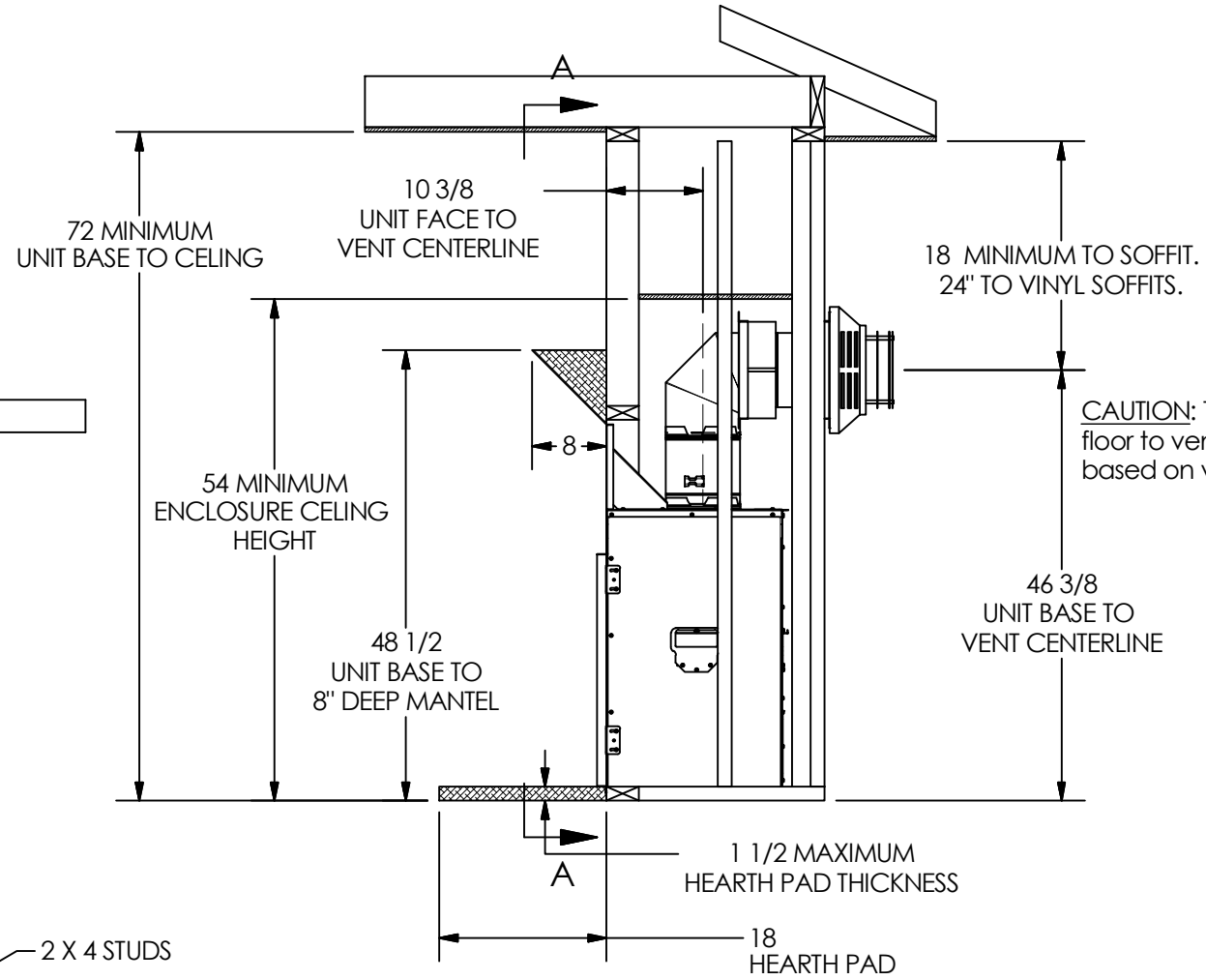
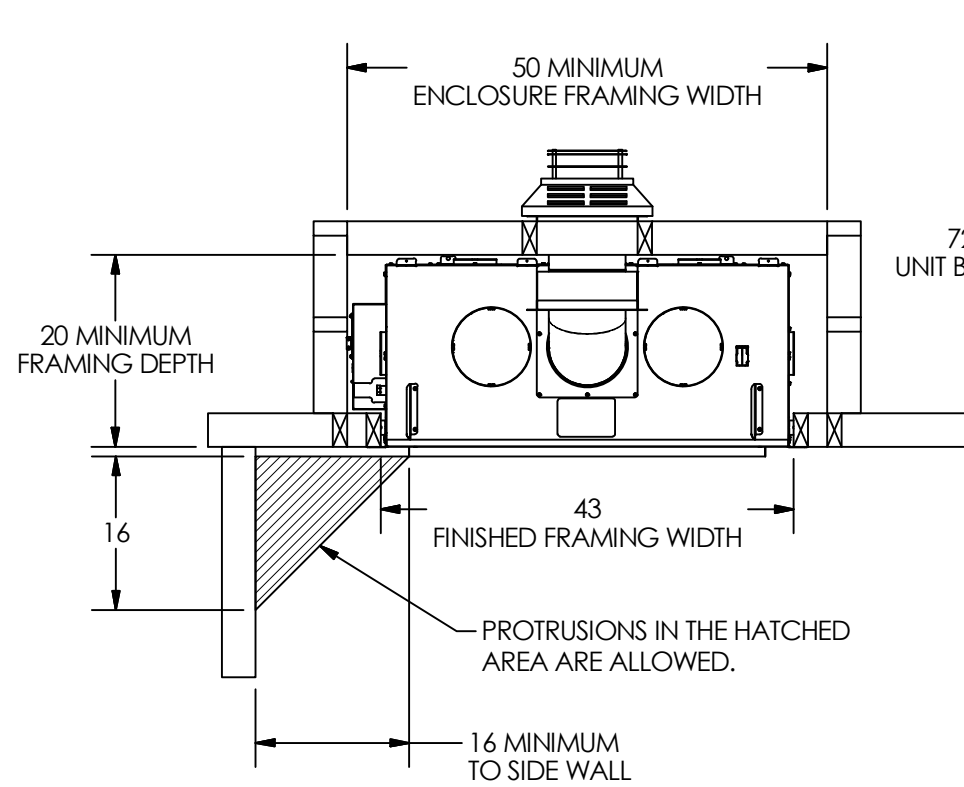
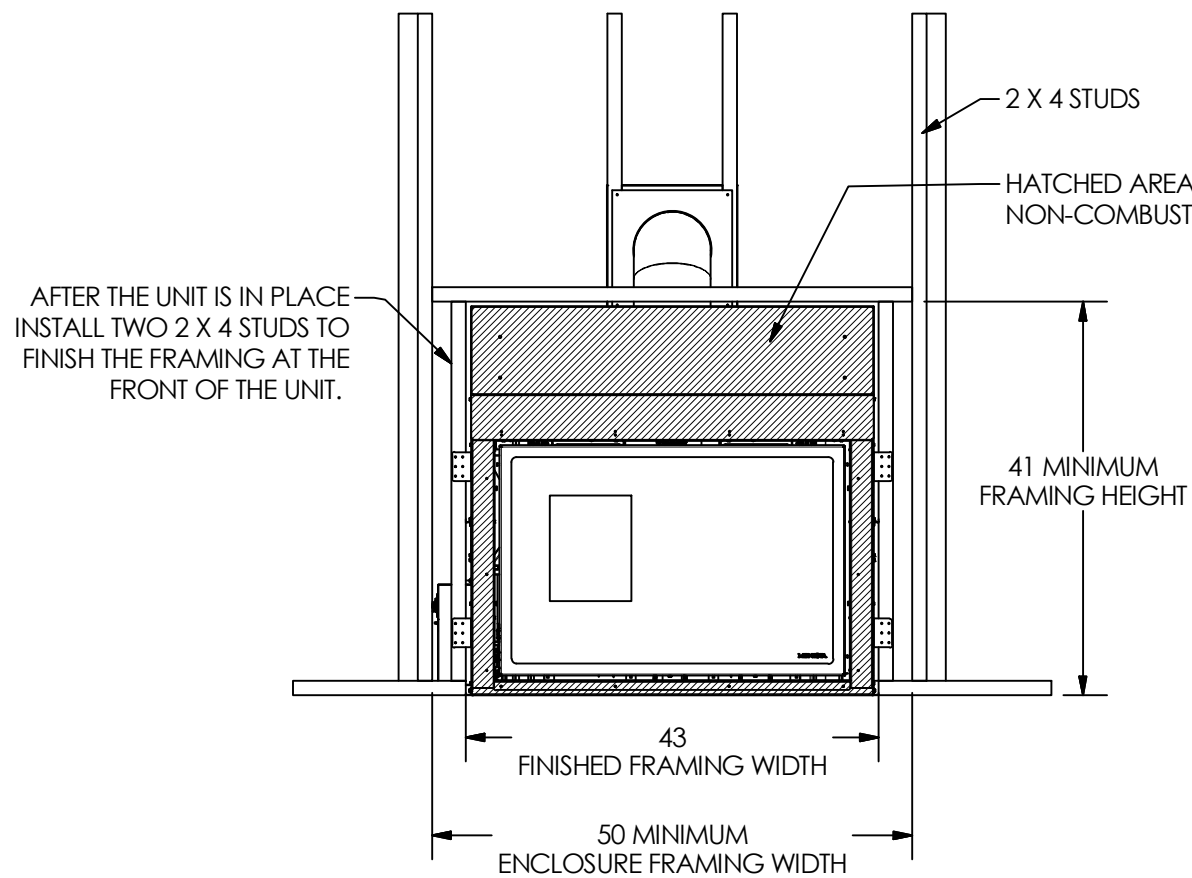


MENDOTA FV36 FIREPLACE DIMENSOINS



CAUTION: The distance from the floor to vent centerline can change based on vent brand used.



NOTE: For every 1" this fireplace is raised off the floor, the non-combustible hearth protection pad may be reduced by 2". If this fireplace is raised 6" or more off the floor, no hearth protection pad is required.

MINIMUM REQUIRED DIMENSIONS	
ENCLOSURE FRAMING WIDTH	50"
FINISHED FRAMING WIDTH	43"
FRAMING HEIGHT	41"
FRAMING DEPTH	20"
FINISHING MATERIAL THICKNESS	1"
UNIT BASE TO ROOM CEILING	72"
TO SIDE WALL	16"
TO 8" MANTEL	48 1/2"