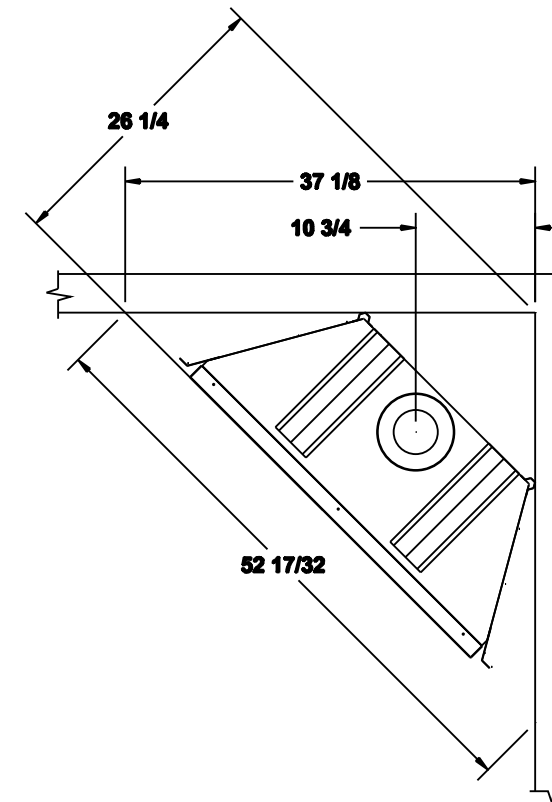
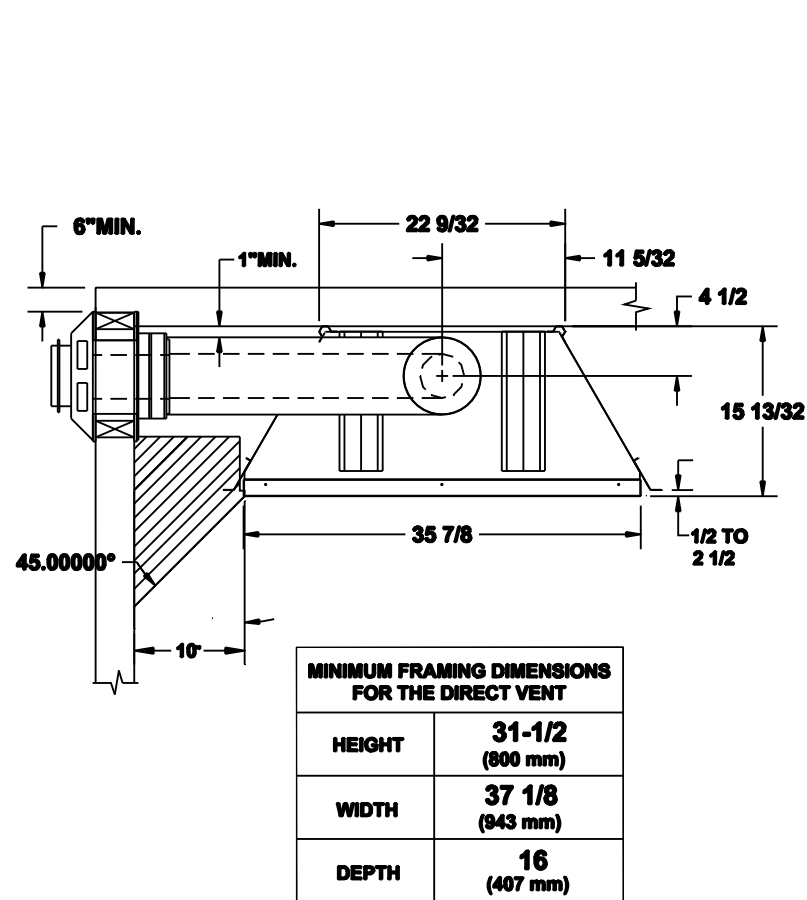
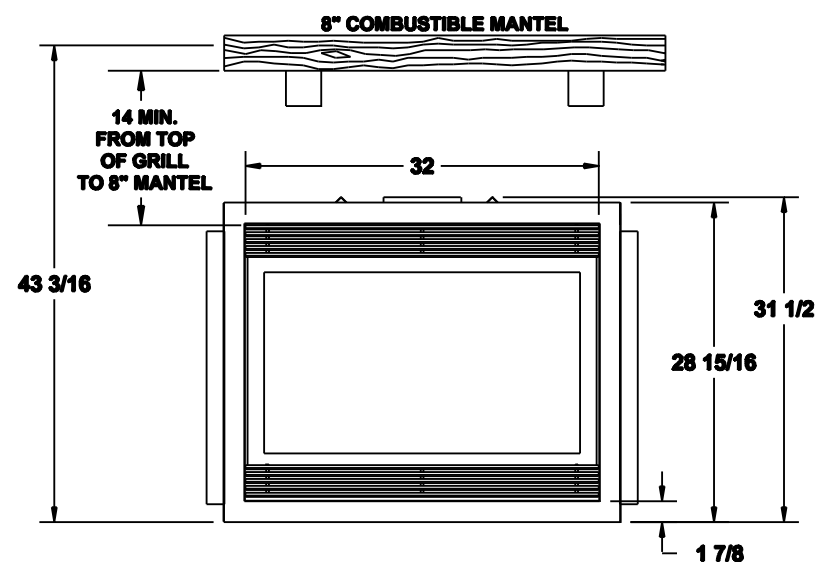


**MENDOTA MODEL DXV-35 TOP VENT
USE ONLY DURAVENT 4"X6-5/8" COAXIAL PIPES AND VENTING COMPONENTS.**

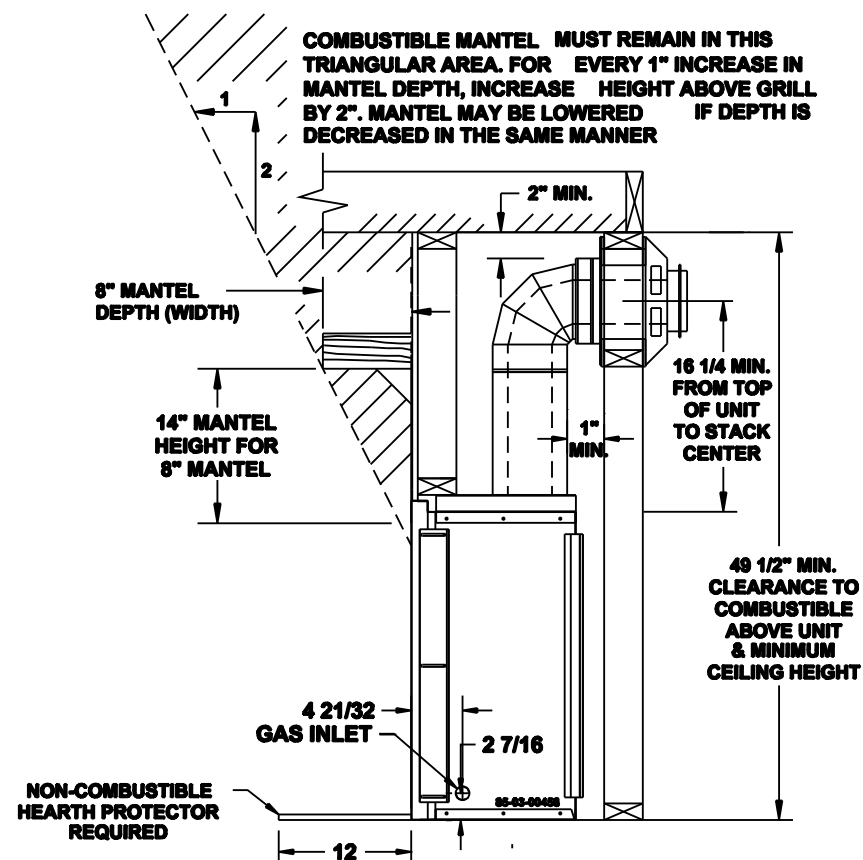


Adjacent Walls:

A wall, perpendicular to and in front of the appliance front facing must be at least 10" from the firebox opening. A wall at 45° to the front and starting at the appliance's outer edge is permitted. Projections behind this wall (shaded area) are permitted.



IF MANTEL IS MADE OF A NON-COMBUSTIBLE MATERIAL (BRICK, STONE, ETC.), OR HAS A STEEL PROTECTOR PLATE ON THE UNDERSIDE IT MAY BE PLACED ANYWHERE ABOVE GRILL



NOTE:
FOR EVERY 1" THE FIREPLACE IS RAISED OFF THE FLOOR, HEARTH PROTECTOR MAY BE REDUCED BY 2".
IF FIREPLACE IS RAISED 6" OR MORE, NO HEARTH PROTECTION IS REQUIRED.