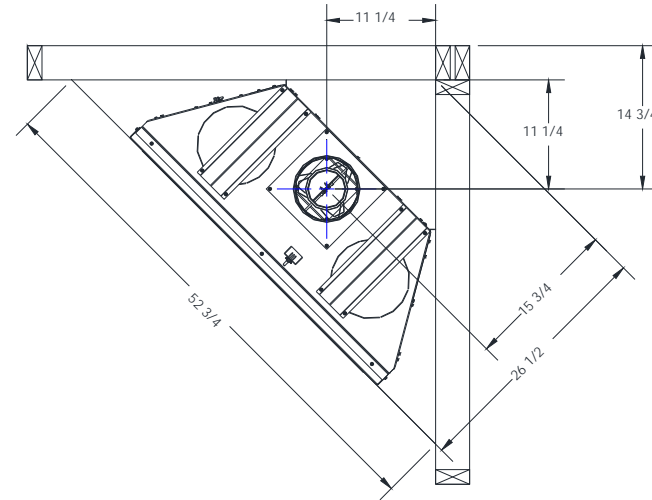
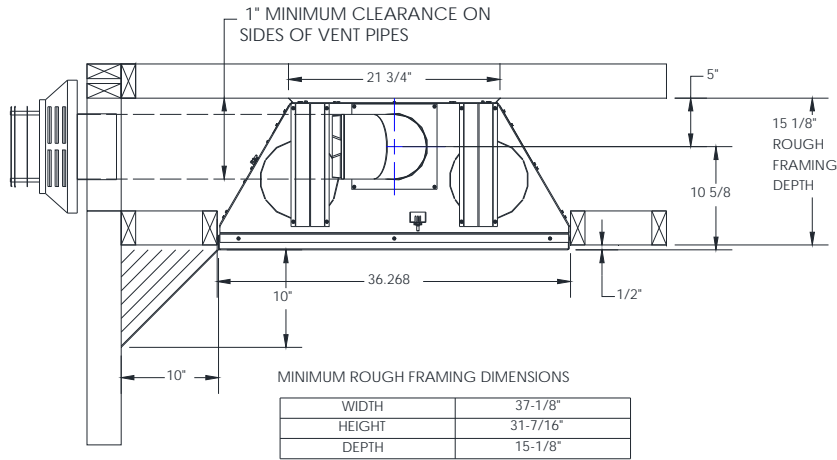


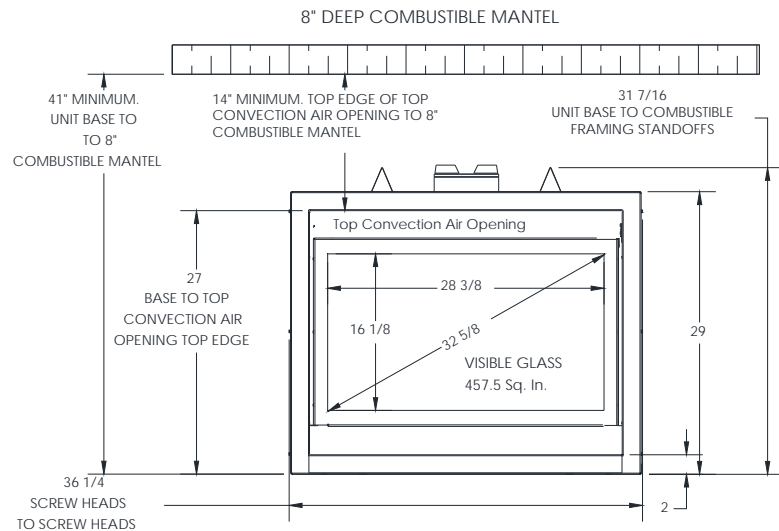
# MENDOTA DXV-35 GAS DIRECT VENT FIREPLACE

USE ONLY DURAVENT 4" X 6-5/8" COAXIAL PIPES AND VENTING COMPONENTS.

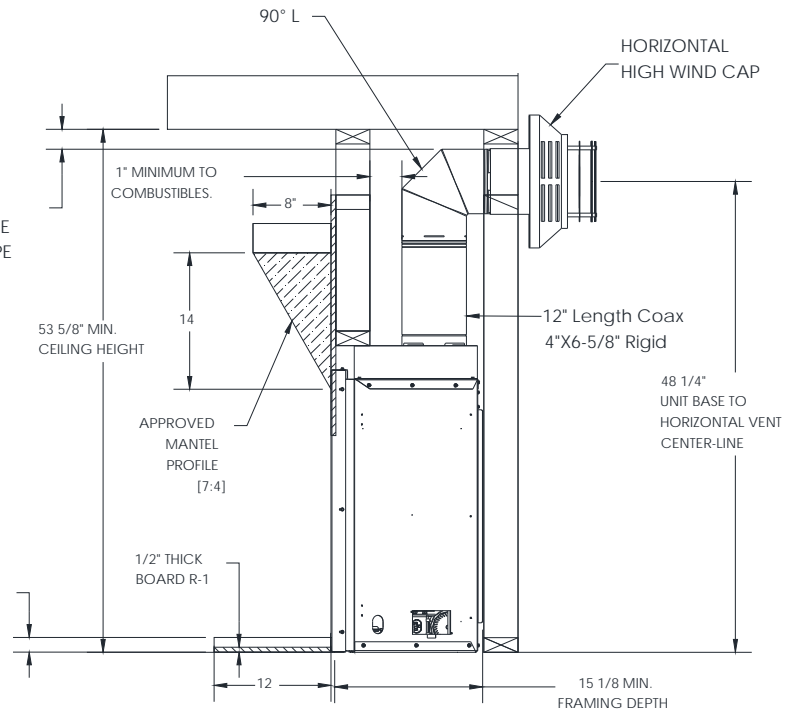
**WARNING:** Do not cover the 2" faceplate border of the unit with combustible materials.



A wall, Perpendicular and in front of this appliance's glass door face must be at least 12" away from the side edges of the glass frame. A wall at 45° angle to the front face and starting at the side edge of this appliance is allowed. Projections behind this 45° angle edge (shaded area) are allowed.



2" CLEARANCE MINIMUM ABOVE HORIZONTAL PIPE RUNS, ALWAYS.



IF MANTEL IS CONSTRUCTED OF NON-COMBUSTIBLE MATERIALS, IT MAY BE PLACED AT ANY DISTANCE ABOVE THE TOP CONVECTION AIR OPENING. CAUTION: MATERIALS MADE OF POROUS STONES OR SEDIMENTARY ROCKS MAY CRACK DUE TO EXPANSION OF THE MATERIAL IF PLACED AROUND THIS APPLIANCE. USE SUITABLE MATERIALS WHICH ARE CRACK RESISTANT AROUND THIS APPLIANCE. CRACKS CAN FORM DUE TO EXPANSION IN HOT AREAS AROUND THIS APPLIANCE.

R-1 RATED HEARTH PAD REQUIRED. USE R-1 RATED BOARD AS BASE MATERIAL UNDER HEARTH PAD. FOR EACH 1" THIS UNIT RAISED OFF THE FLOOR, THE HEARTH PAD DEPTH MAY BE REDUCED BY 2". IF UNIT IS RAISED MORE THAN 6", A HEARTH PAD IS NOT REQUIRED.