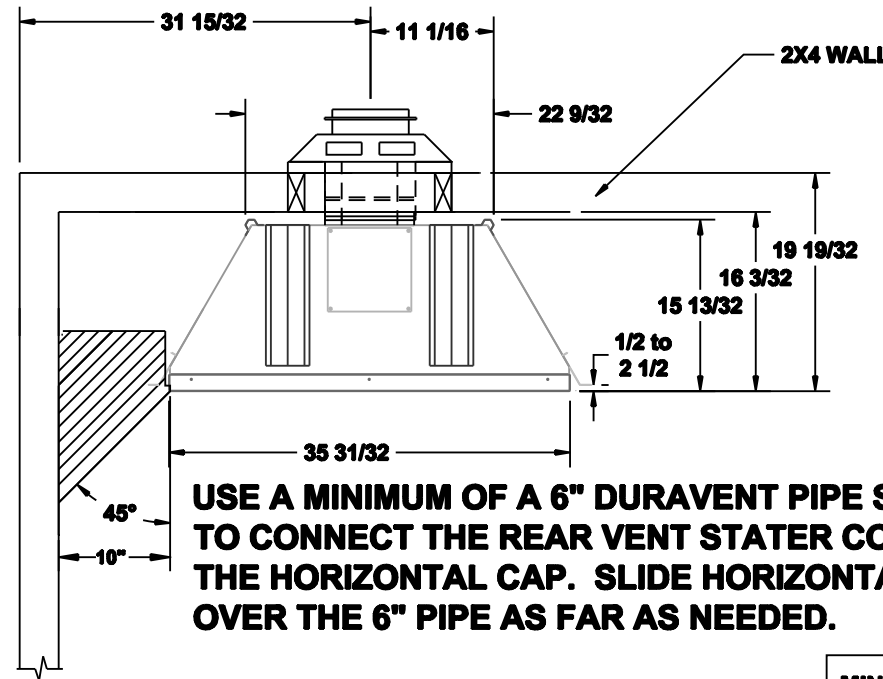


MENDOTA MODEL DXV-35 REAR VENT

USE ONLY DURAVENT 5"X8" COAXIAL PIPES AND VENTING COMPONENTS.



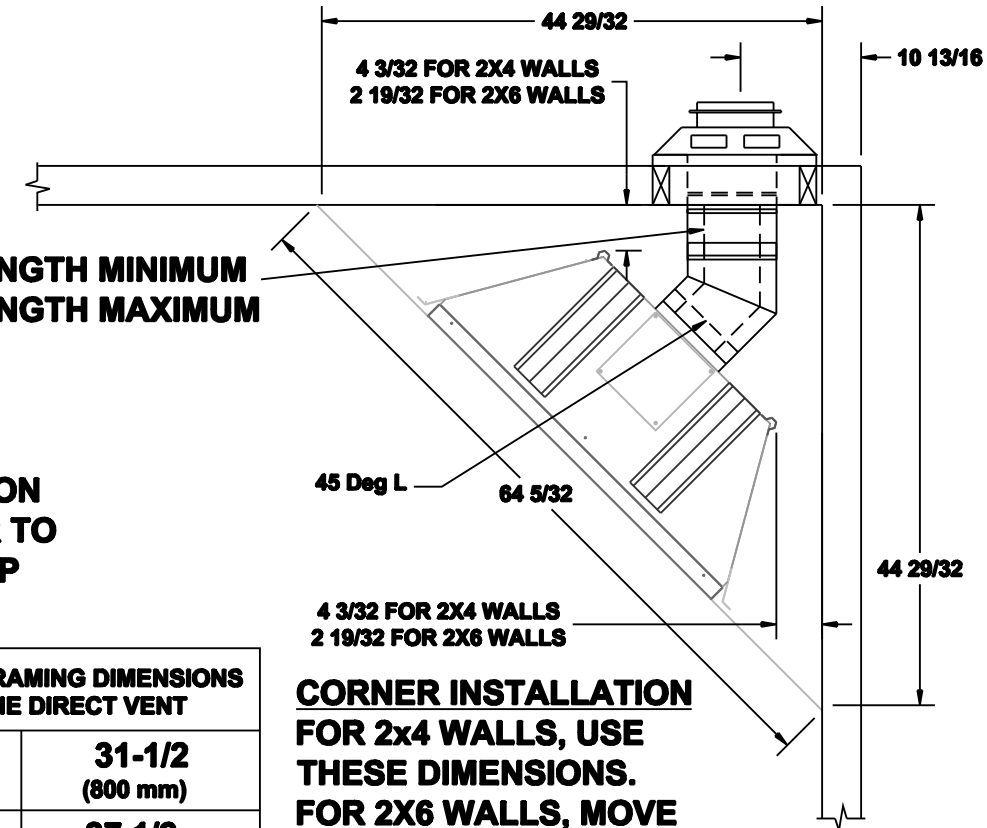
USE A MINIMUM OF A 6" DURAVENT PIPE SECTION TO CONNECT THE REAR VENT STATER COLLAR TO THE HORIZONTAL CAP. SLIDE HORIZONTAL CAP OVER THE 6" PIPE AS FAR AS NEEDED.

Adjacent Walls:

A wall, perpendicular to and in front of the appliance front facing must be at least 10" from the firebox opening. A wall at 45° to the front and starting at the appliance's outer edge is permitted. Projections behind this wall (shaded area) are permitted.

| MINIMUM FRAMING DIMENSIONS FOR THE DIRECT VENT | |
|--|--------------------|
| HEIGHT | 31-1/2 (800 mm) |
| WIDTH | 37 1/8 (943 mm) |
| DEPTH | 16-1/8 (410 mm) |

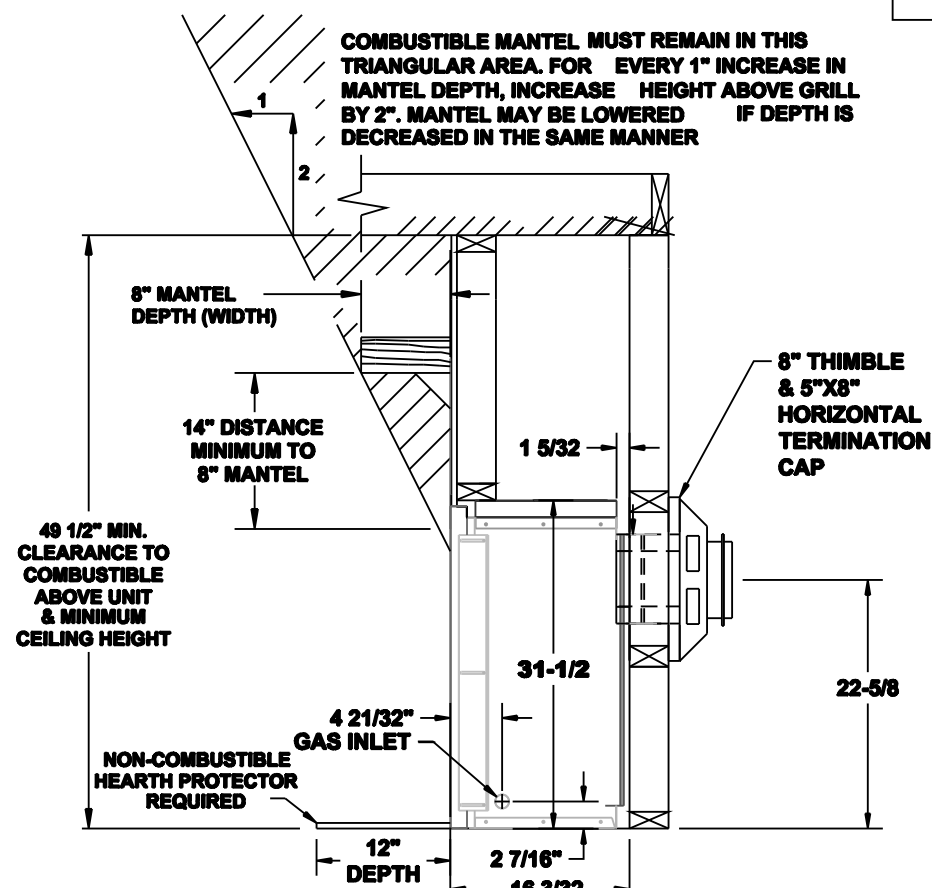
**6" LENGTH MINIMUM
9" LENGTH MAXIMUM**



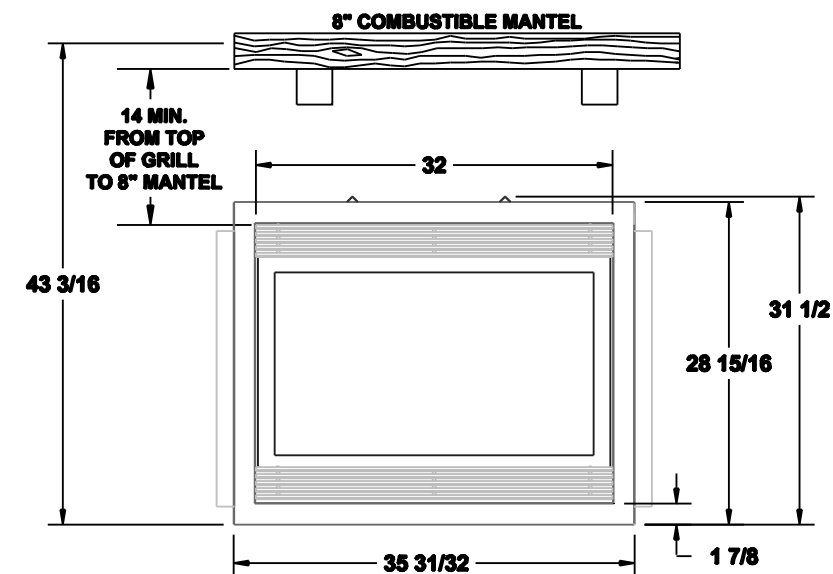
CORNER INSTALLATION FOR 2x4 WALLS, USE THESE DIMENSIONS.

FOR 2X6 WALLS, MOVE FIREPLACE CLOSER TO WALLS IN EACH DIRECTION 2".

USE A 9" PIPE SECTION IF YOU DESIRE A WIDER DIAGONAL MEASUREMENT.



NOTE:
FOR EVERY 1" THE FIREPLACE IS RAISED OFF THE FLOOR, HEARTH PROTECTOR MAY BE REDUCED BY 2".
IF FIREPLACE IS RAISED 6" OR MORE, NO HEARTH PROTECTION IS REQUIRED.



IF MANTEL IS MADE OF A NON-COMBUSTIBLE MATERIAL (BRICK, STONE, ETC.), OR HAS A STEEL PROTECTOR PLATE ON THE UNDERSIDE IT MAY BE PLACED ANYWHERE ABOVE GRILL