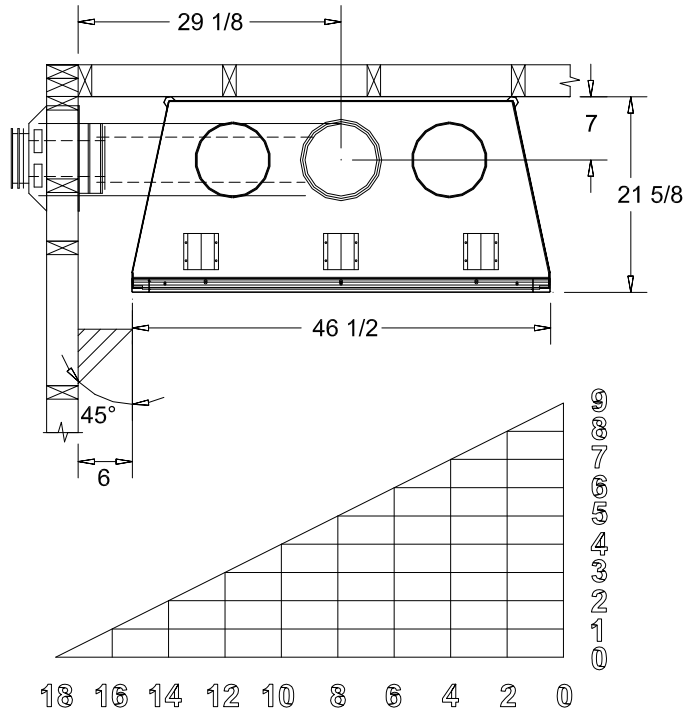
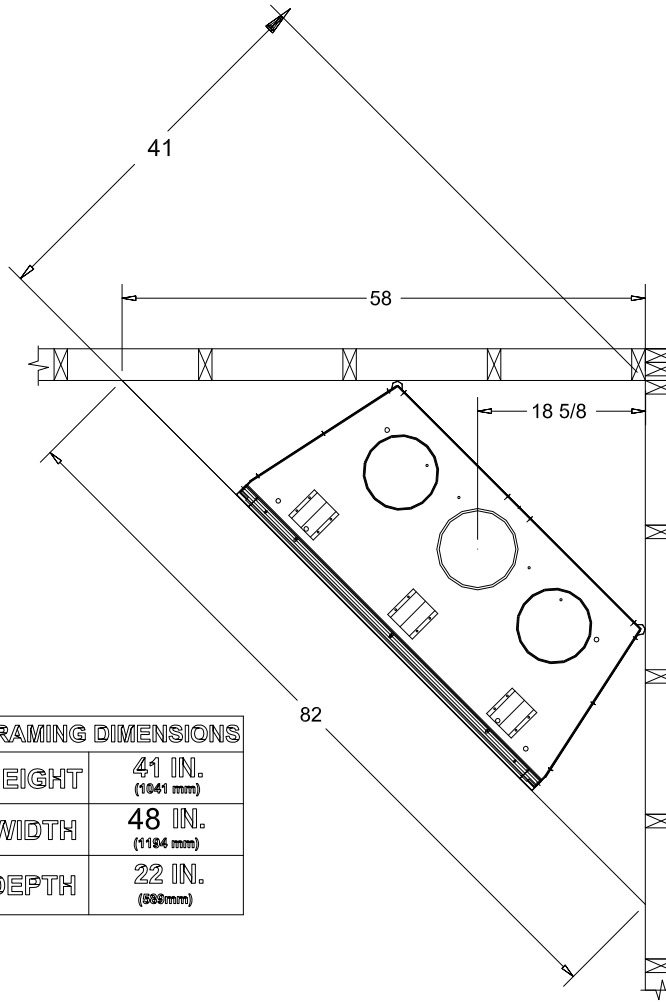


MENDOTA MODEL DXV-60 TOP VENT
USE ONLY DURAVENT 5"X8" COAXIAL PIPES AND VENTING COMPONENTS.

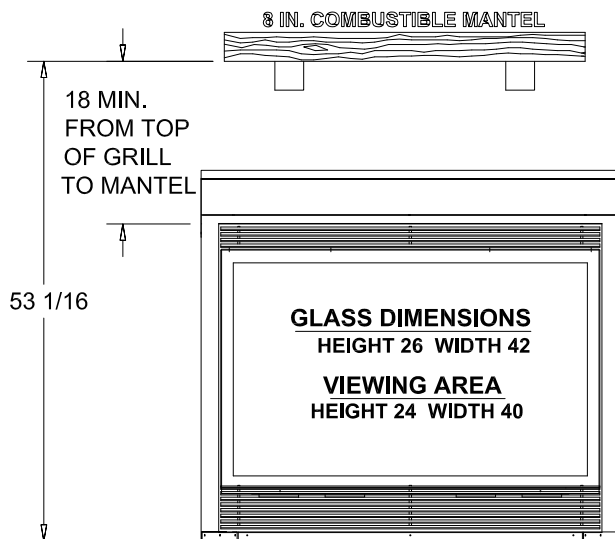


FRAMING DIMENSIONS	
HEIGHT	41 IN. (1041 mm)
WIDTH	48 IN. (1186 mm)
DEPTH	22 IN. (559 mm)



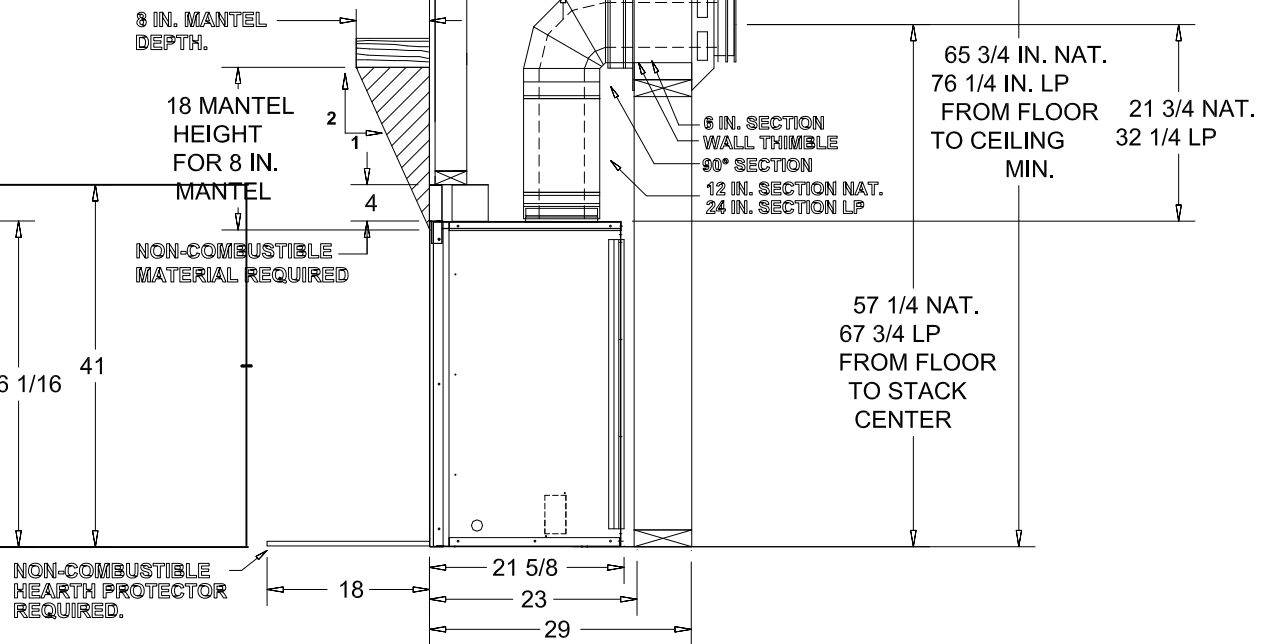
HEARTH TABLE

FOR EVERY 2 IN. THAT THE HEARTH IS REDUCED THE HEIGHT OF THE UNIT MUST BE RAISED BY 1 IN.



NOTE: HORIZONTAL SECTION MUST BE FLUSH WITH OUTSIDE WALL

AA-11-00458
HEAT SHIELD
MUST BE INSTALLED IF
COMBUSTIBLE WALL
COVERING IS PRESENT.



MINIMUM HORIZONTAL VENTING