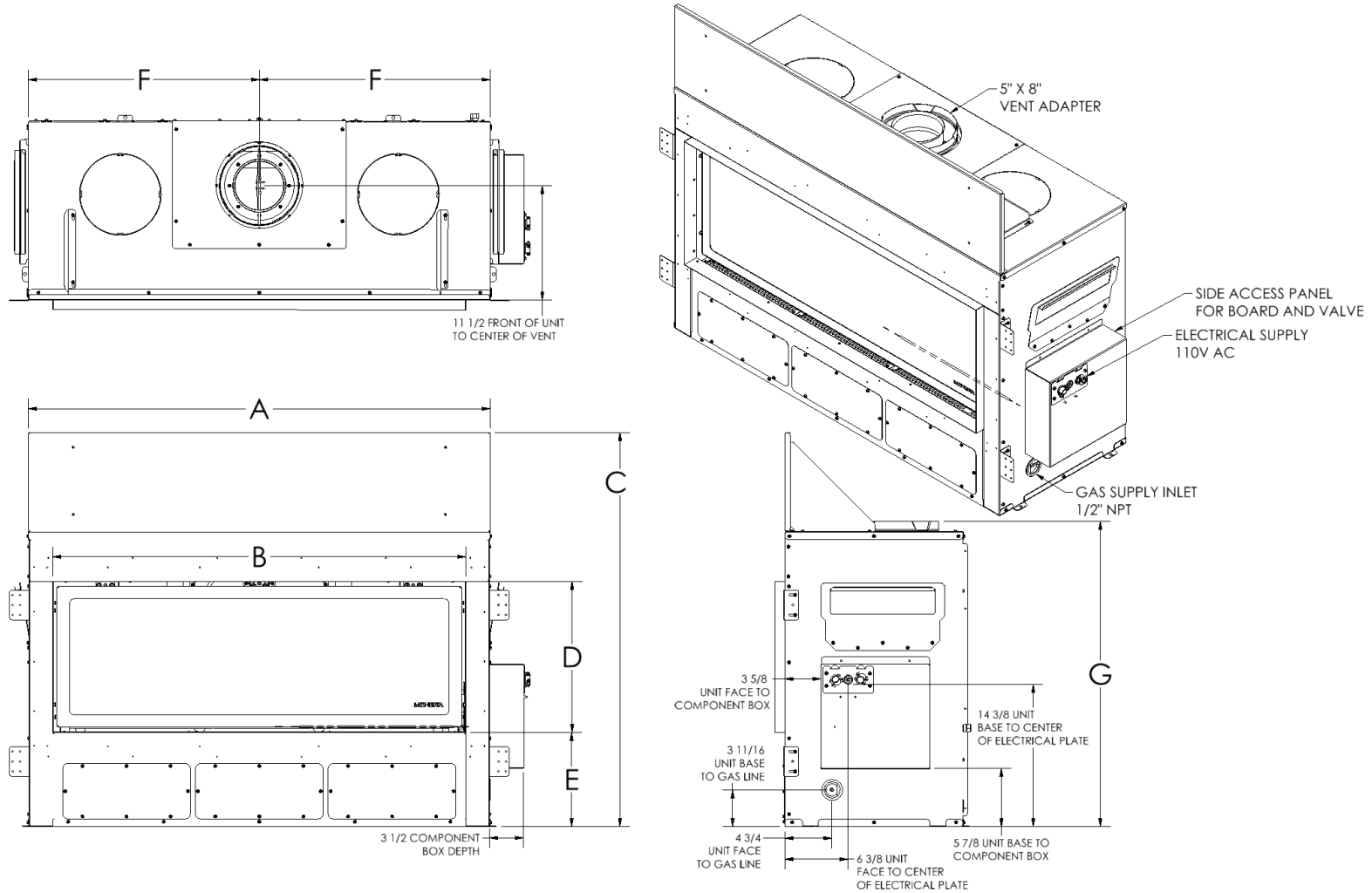
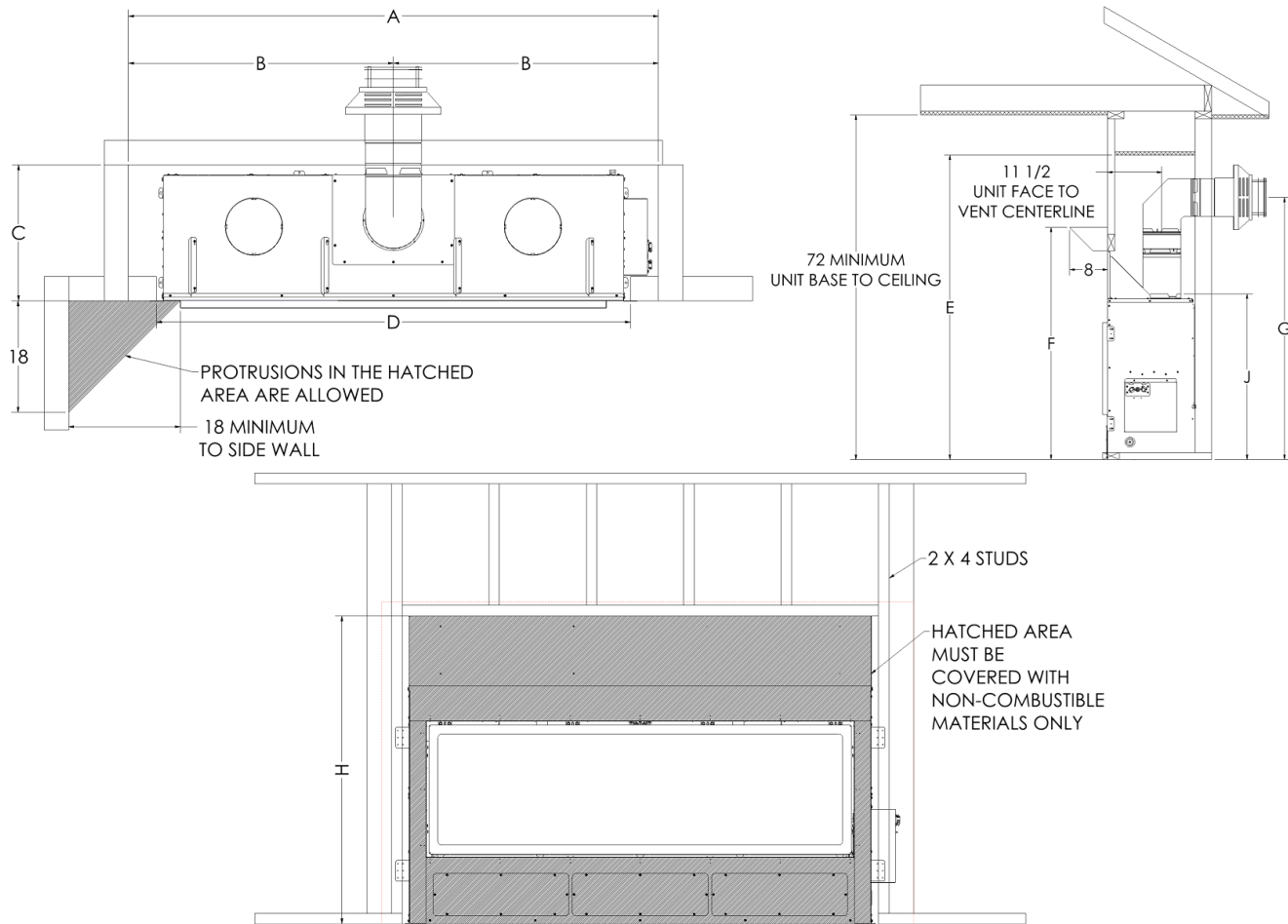


ML48 FireIn Gas Fireplace AA-11-05438 – GENERAL SPECIFICATIONS



ML48 FireIn		
A	FIREPLACE WIDTH	52 3/4
B	INNER GUIDE WIDTH	47 7/8
C	FIREPLACE HEIGHT	44
D	INNER GUIDE HEIGHT	19 1/2
E	UNIT BASE TO INNER GUIDE	9 1/2
F	UNIT SIDE TO CENTER OF VENT	26 3/8
G	BOTTOM OF UNIT TO VENT STARTER COLLAR	35



ML48 FireIn		
A	MIN. ENCLOSURE FRAMING WIDTH	62
B	ENCLOSURE SIDE TO VENT CENTER	31
C	MINIMUM FRAMING DEPTH	19 1/2
D	FINISHED FRAMING WIDTH	54
E	MIN. ENCLOSURE CEILING	64 1/4
F	MIN. UNIT BASE TO 8" MANTEL	49
G	UNIT BASE TO VENT CENTERLINE	57 1/4
H	MIN. FRAMING HEIGHT	44 1/2
J	BOTTOM OF UNIT TO VENT STARTER COLLAR	35