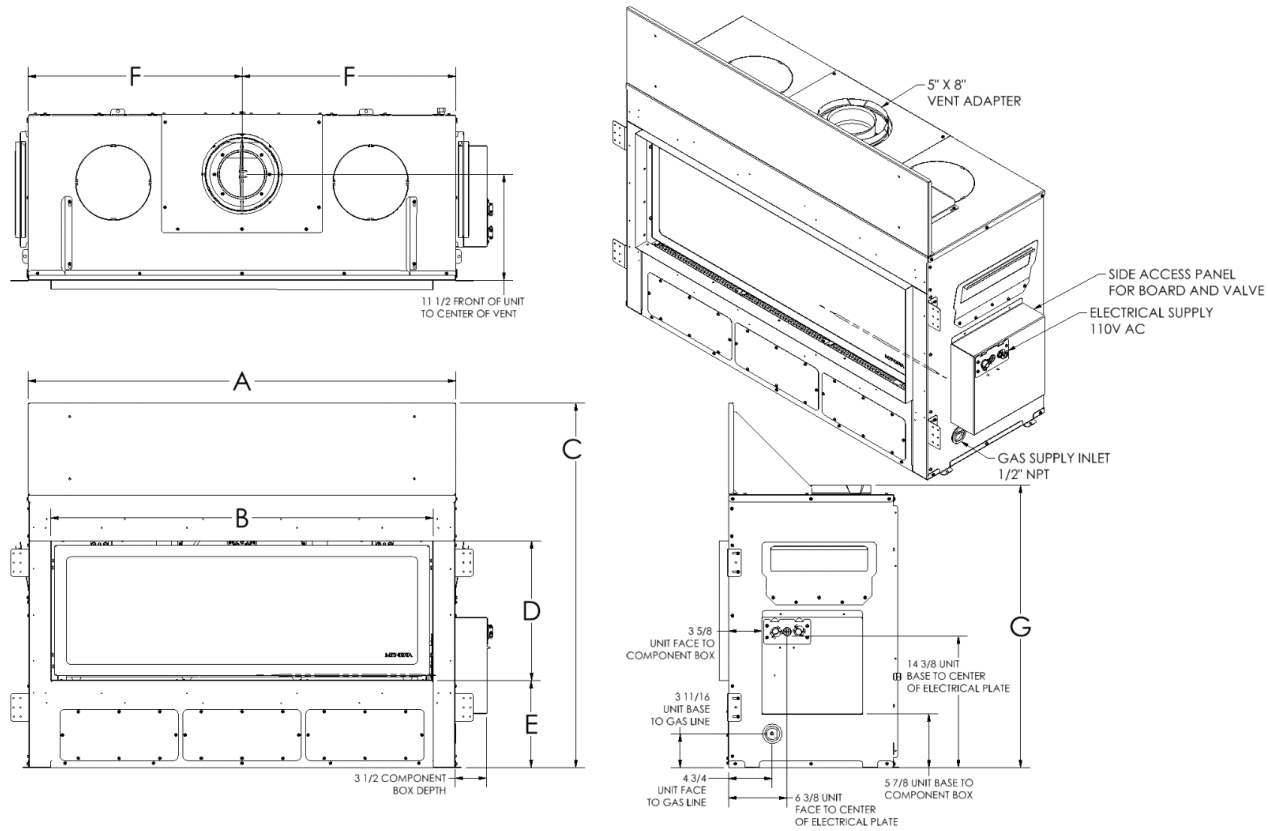


ML-SERIES FULLVIEW GAS FIREPLACE, DIRECT VENT

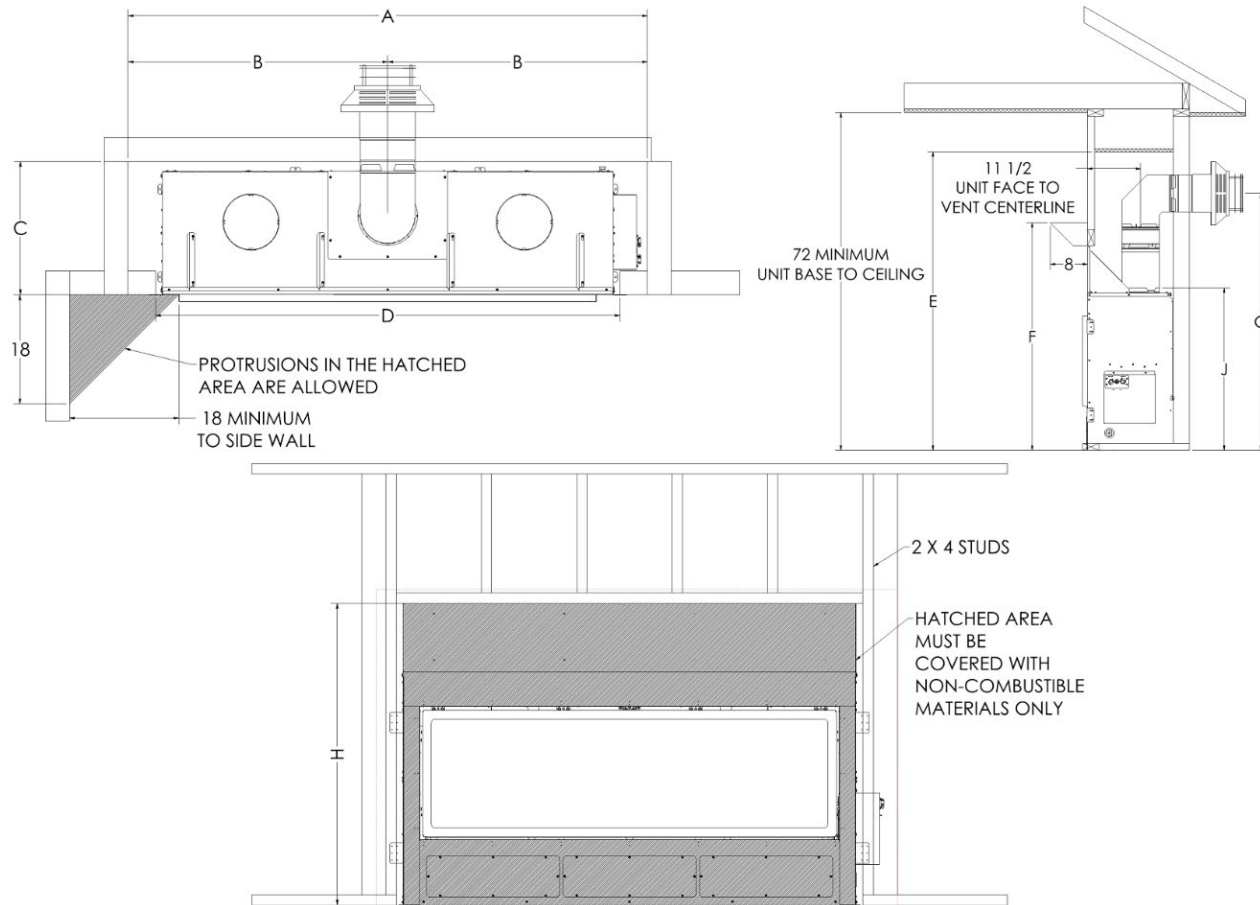
GENERAL SPECIFICATIONS

ML39-AA-11-04391 ML47-AA-11-04390 ML48-AA-11-05434

ML54-AA-11-04283 ML60-AA-11-04281



		ML39	ML47	ML48	ML54	ML60
A	FIREPLACE WIDTH	46 1/2	52 3/4	52 3/4	60	66
B	INNER GUIDE WIDTH	41 5/8	47 7/8	47 7/8	55 1/8	61 1/8
C	FIREPLACE HEIGHT	39 3/4	41 3/4	44	43 7/8	43 7/8
D	INNER GUIDE HEIGHT	15 1/4	17 1/4	19 1/2	19 1/2	19 1/2
E	UNIT BASE TO INNER GUIDE	9 1/2	9 1/2	9 1/2	9 3/8	9 3/8
F	UNIT SIDE TO CENTER OF VENT	23 3/8	26 3/8	26 3/8	30	33
G	BOTTOM OF UNIT TO VENT STARTER COLLAR	30 3/4	32 3/4	35	35	35



		ML39	ML47	ML48	ML54	ML60
A	MIN. ENCLOSURE FRAMING WIDTH	56	62	62	69	75
B	ENCLOSURE SIDE TO VENT CENTER	28	31	31	34 1/2	37 1/2
C	MINIMUM FRAMING DEPTH	19 1/2	19 1/2	19 1/2	19 1/2	19 1/2
D	FINISHED FRAMING WIDTH	48	54	54	61	67
E	MIN. ENCLOSURE CEILING	60	62	64 1/4	64 1/4	64 1/4
F	MIN. UNIT BASE TO 8" MANTEL	45	47	49	49	49
G	UNIT BASE TO VENT CENTERLINE	53	55	57 1/4	57 1/4	57 1/4
H	MIN. FRAMING HEIGHT	40	42	44 1/2	44 1/2	44 1/2
J	BOTTOM OF UNIT TO VENT STARTER COLLAR	30 3/4	32 3/4	35	35	35