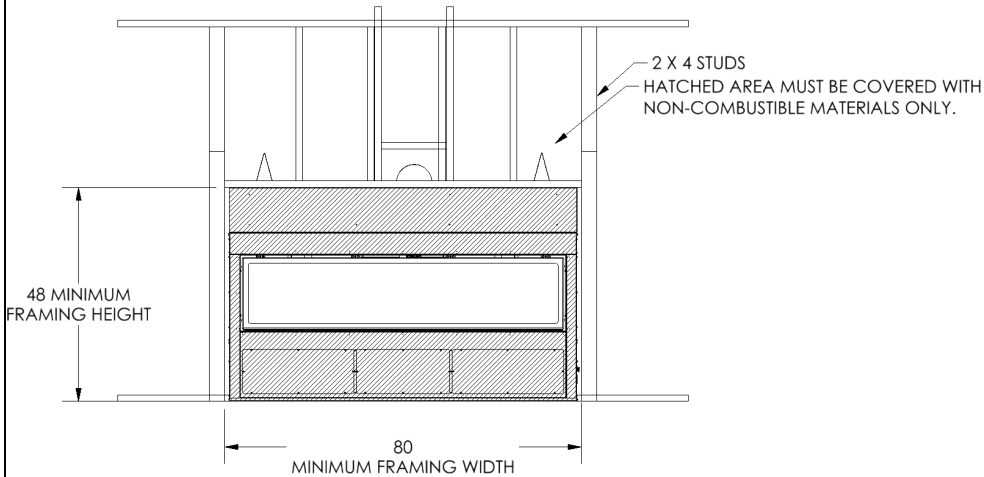
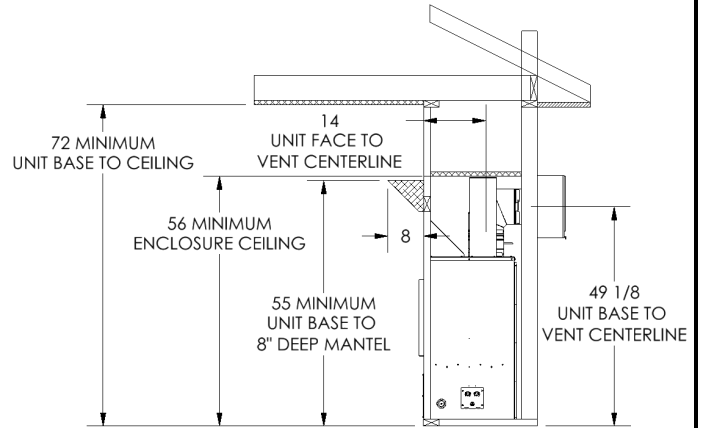
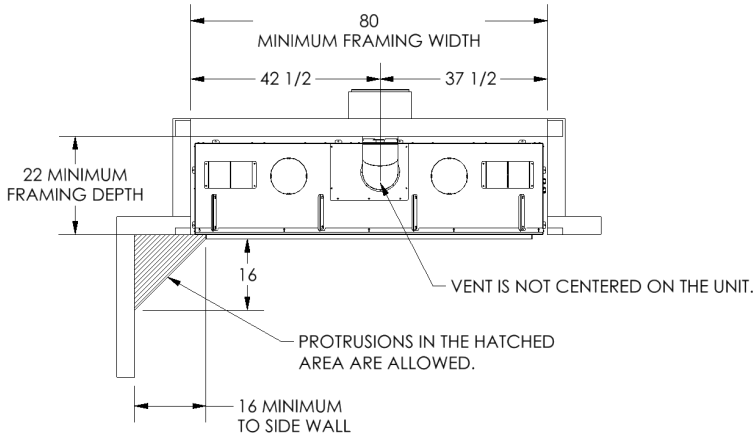


FULLVIEW DECOR LINEAR ML72 SPECIFICATIONS

WARNING: VENT IS NOT CENTERED ON THE UNIT!



MINIMUM REQUIRED DIMENSIONS (DIMENSIONS ARE IN INCHES)	
ENCLOSURE FRAMING WIDTH	80
ENCLOSURE FRAMING DEPTH	22
ENCLOSURE FRAMING HEIGHT	55
ENCLOSURE CEILING HEIGHT	56
FINISHING MATERIAL THICKNESS	1
UNIT BASE TO ROOM CEILING	72
UNIT BASE TO SIDE WALL	16
UNIT BASE TO 8" MANTEL	55

