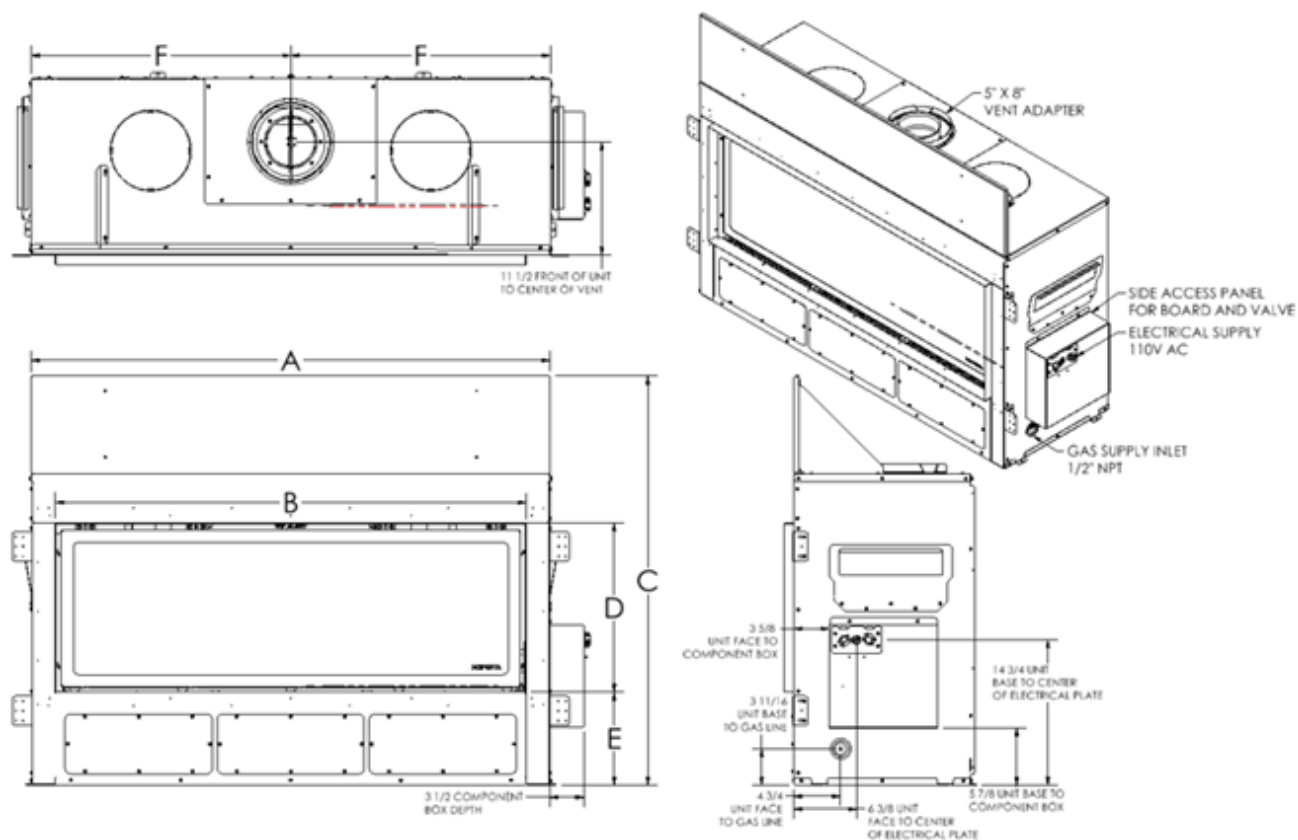


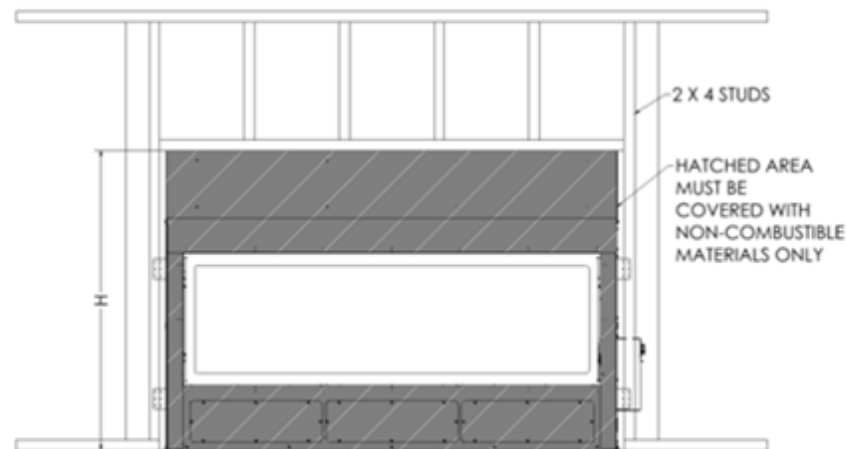
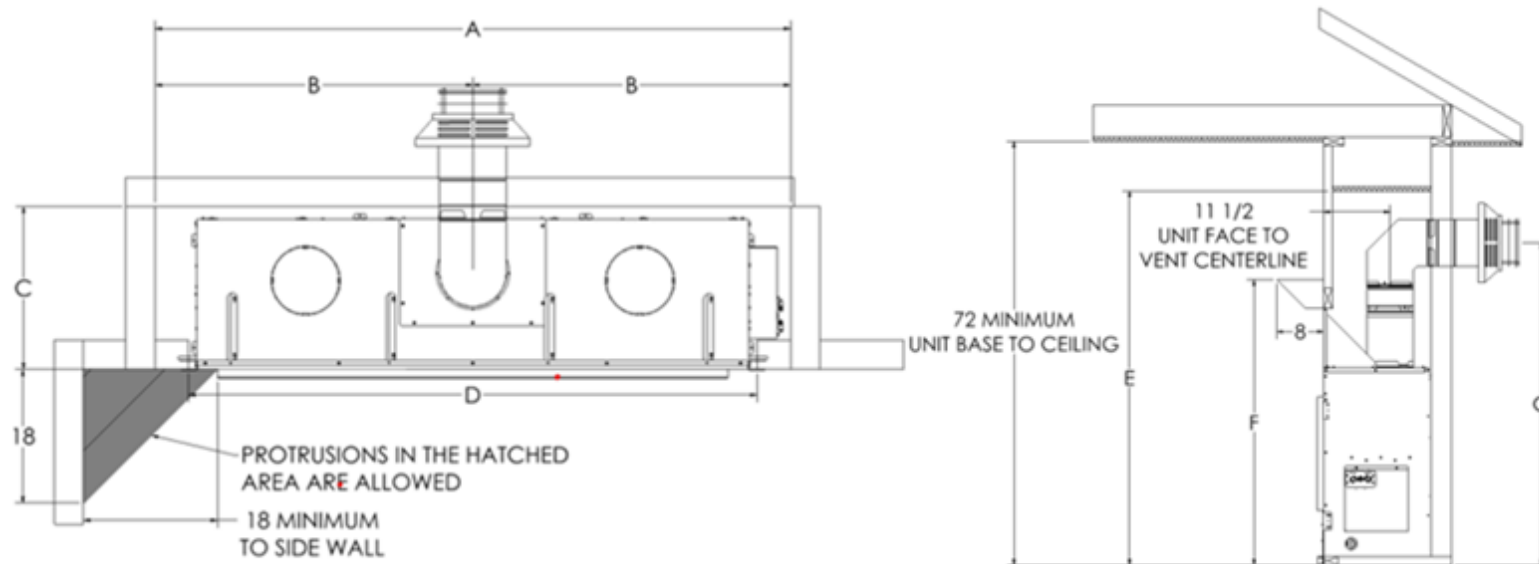
ML-SERIES FULLVIEW GAS FIREPLACE, DIRECT VENT

GENERAL SPECIFICATIONS

ML47-AA-11-04390 **ML54-AA-11-04283** **ML60-AA-11-04281**



		ML47	ML54	ML60
A	FIREPLACE WIDTH	52 3/4	60	66
B	INNER GUIDE WIDTH	47 7/8	55 1/8	61 1/8
C	FIREPLACE HEIGHT	41 3/4	43 7/8	43 7/8
D	INNER GUIDE HEIGHT	17 1/4	19 1/2	19 1/2
E	UNIT BASE TO INNER GUIDE	9 1/2	9 3/8	9 3/8
F	UNIT SIDE TO CENTER OF VENT	26 3/8	30	33



		ML47	ML54	ML60
A	MIN. ENCLOSURE FRAMING WIDTH	62	69	75
B	ENCLOSURE SIDE TO VENT CENTER	31	34 1/2	37 1/2
C	MINIMUM FRAMING DEPTH	19 1/2	19 1/2	19 1/2
D	FINISHED FRAMING WIDTH	54	61	67
E	MIN. ENCLOSURE CEILING	62	64 1/4	64 1/4
F	MIN. UNIT BASE TO 8" MANTEL	47	49	49
G	UNIT BASE TO VENT CENTERLINE	55	57 1/4	57 1/4
H	MIN. FRAMING HEIGHT	42	44 1/2	44 1/2