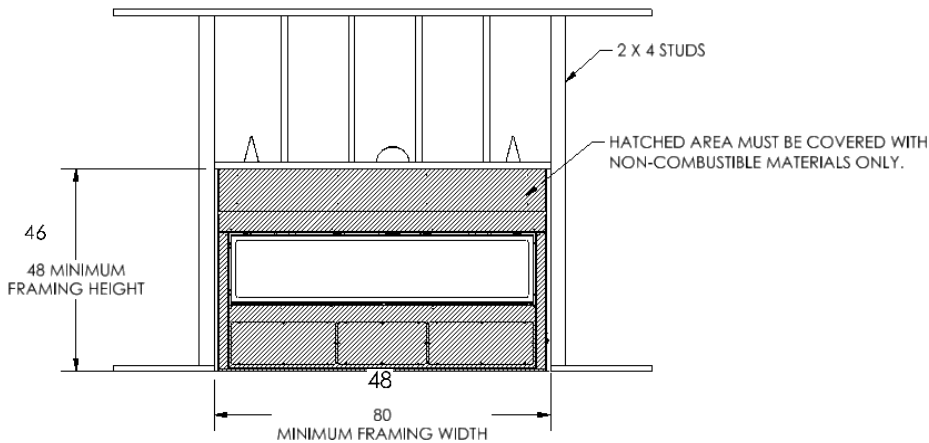
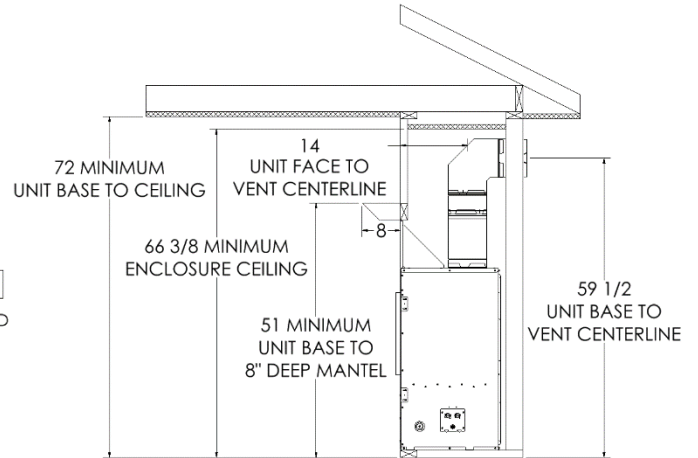
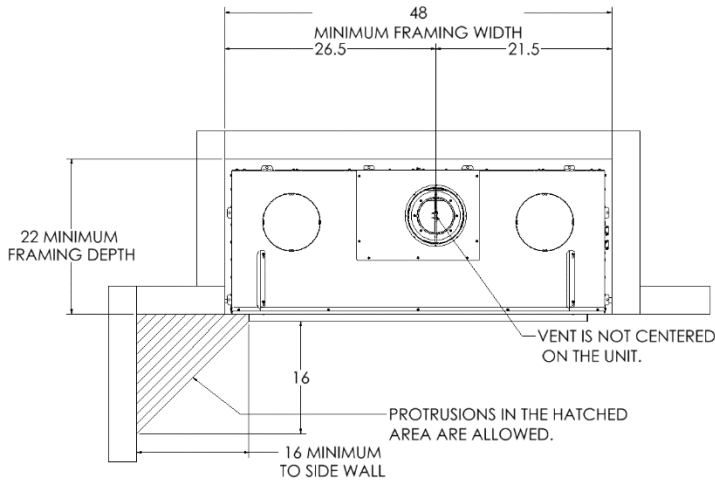


# FULLVIEW DECOR LINEAR ML39 SPECIFICATIONS

## AA-11-04058

**WARNING: VENT IS NOT CENTERED ON THE UNIT!**



### MINIMUM REQUIRED DIMENSIONS (DIMENSIONS ARE IN INCHES)

FRAMING WIDTH	48
FRAMING DEPTH	22
FRAMING HEIGHT	46
ENCLOSURE CEILING HEIGHT	66 3/8
FINISHING MATERIAL THICKNESS	1
UNIT BASE TO ROOM CEILING	72
UNIT BASE TO SIDE WALL	16
UNIT BASE TO 8" MANTEL	51
UNIT BASE TO 8" MANTEL	55

