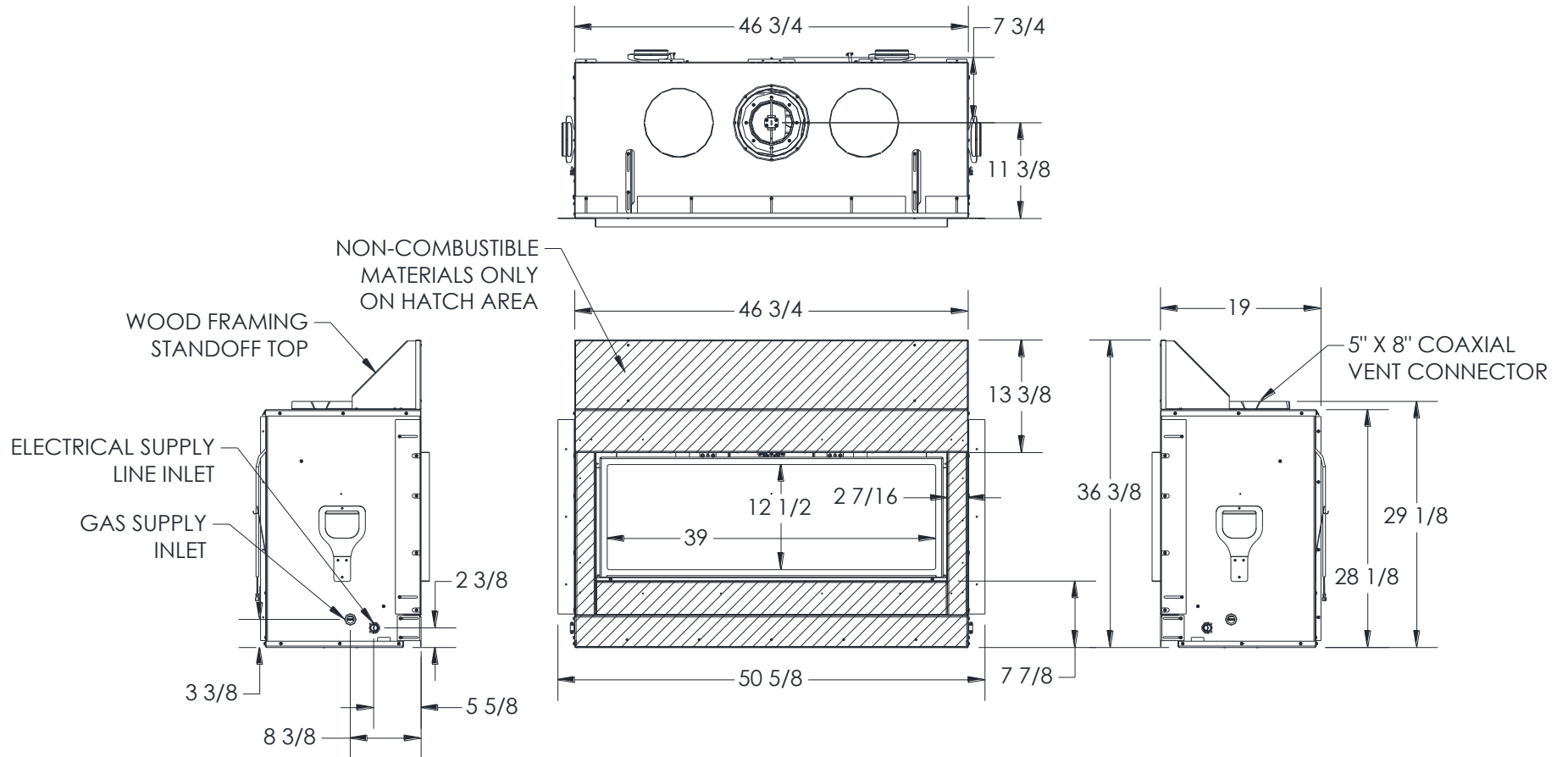


# ML39 FULLVIEW GAS FIREPLACE, DIRECT VENT

## GENERAL SPECIFICATIONS

AA-11-02591



MINIMUM ROUGH FRAMING DIMENSIONS		
WIDTH (IN)	HEIGHT (IN)	DEPTH (IN)
48-1/4	37"	19-1/2

