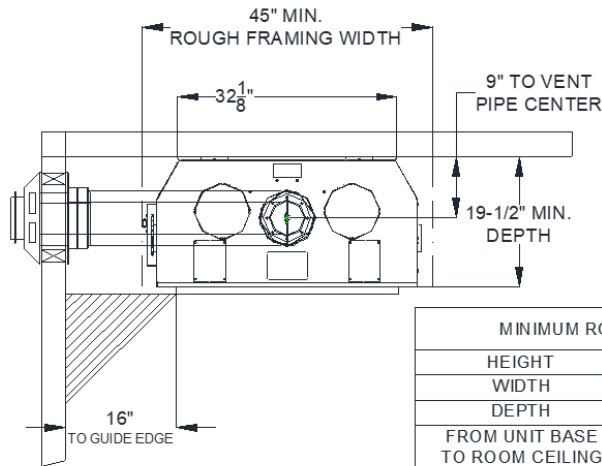
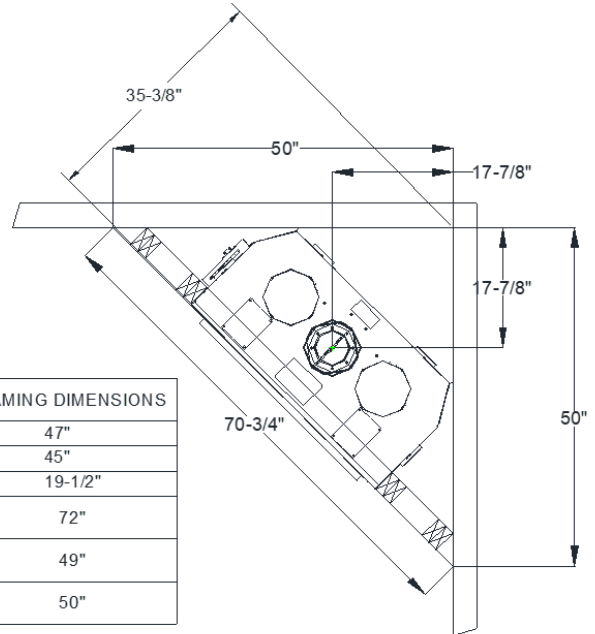


FV41, FV41 DECOR, FV41 TIMBERLINE SPECIFICATIONS



MINIMUM ROUGH FRAMING DIMENSIONS	
HEIGHT	47"
WIDTH	45"
DEPTH	19-1/2"
FROM UNIT BASE TO ROOM CEILING	72"
FROM UNIT BASE TO 8" MANTEL	49"
FROM UNIT BASE TO UNIT ENCLOSURE CEILING	50"



ADJACENT WALLS:

A wall perpendicular to and in front of this fireplace's glass door surface must be at least 16 inches from the side edges of the facing guide.

A wall at 45° to the glass surface and starting at this Fireplace's outer edge is permitted. Projections behind this wall (in shaded area) are permitted.

