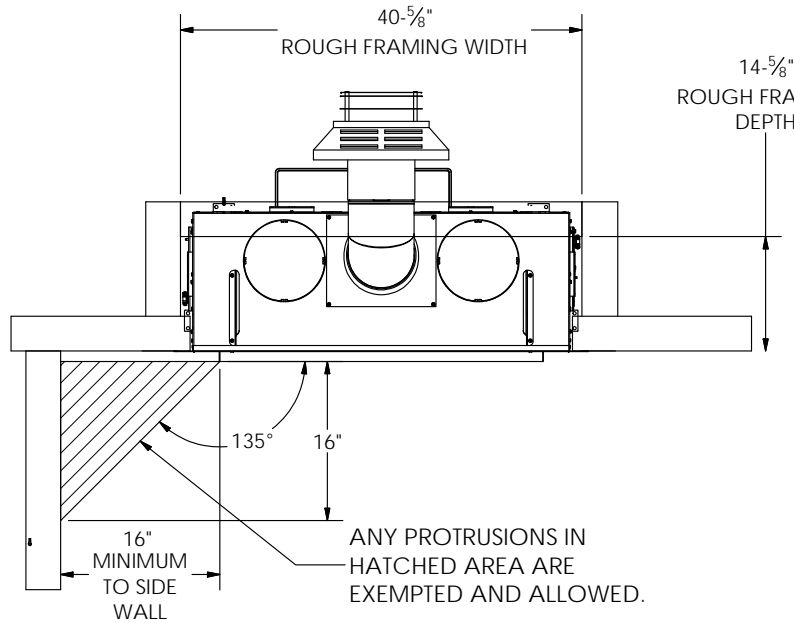
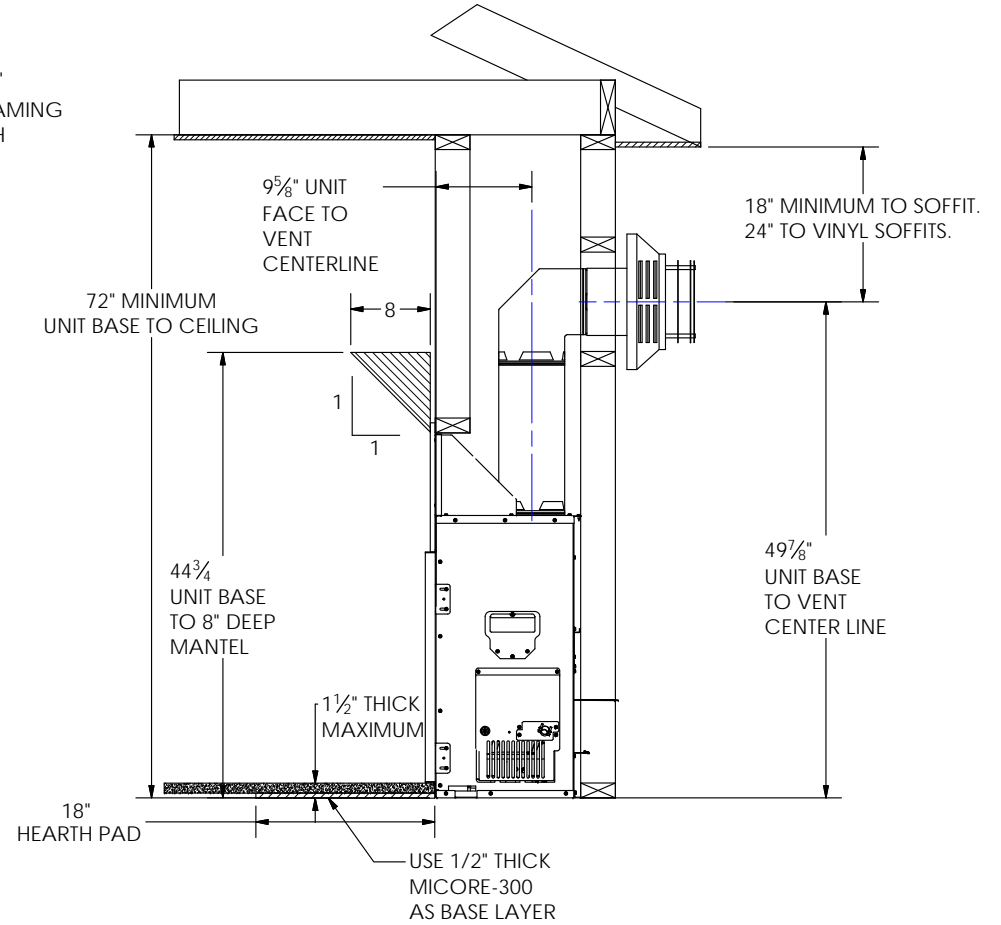
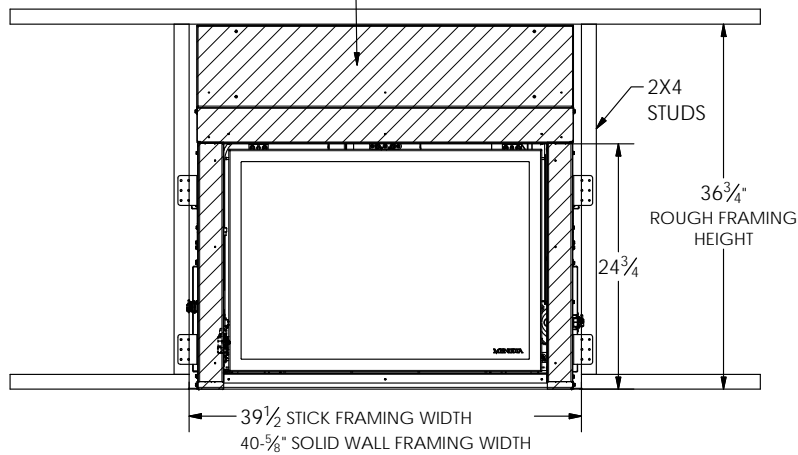


## FV34 AND FV34 DECOR/TIMBERLINE SPECIFICATIONS



HATCHED AREAS ARE NON-COMBUSTIBLE ZONES. RECOMMEND USE MICORE-300 1/2" AS BASE MATERIAL.



ROUGH FRAMING WIDTH	39-1/2" STICK FRAMING or 40-5/8" SOLID WALL FRAMING
ROUGH FRAMING HEIGHT	36-3/4"
ROUGH FRAMING DEPTH	14-5/8"
MINIMUM FINISHING MATERIALS TOTAL THICKNESS	1"
UNIT BASE TO ROOM CEILING MINIMUM DISTANCE	72"
MINIMUM DISTANCE TO 8" MANTEL ABOVE UNIT BASE	44-3/4"
Column 1	Column 2
MINIMUM REQUIRED DIMENSIONS	