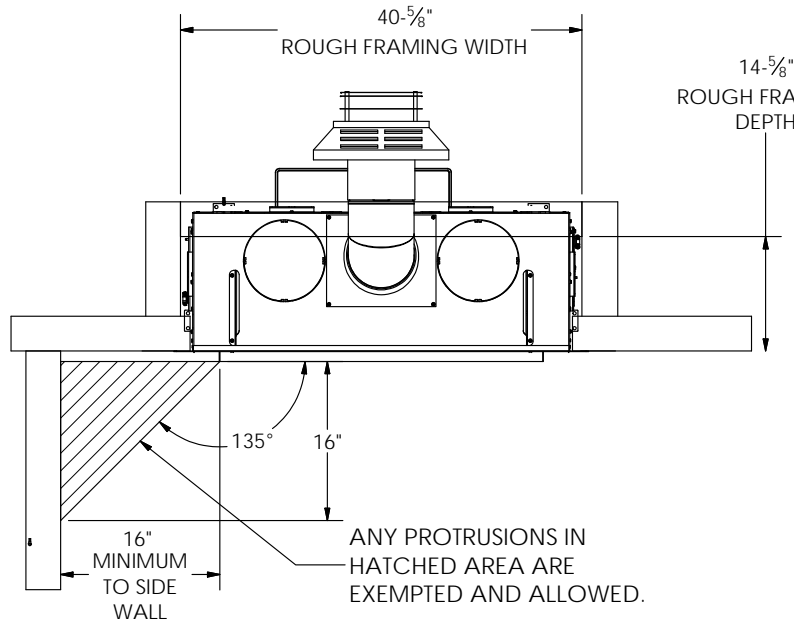
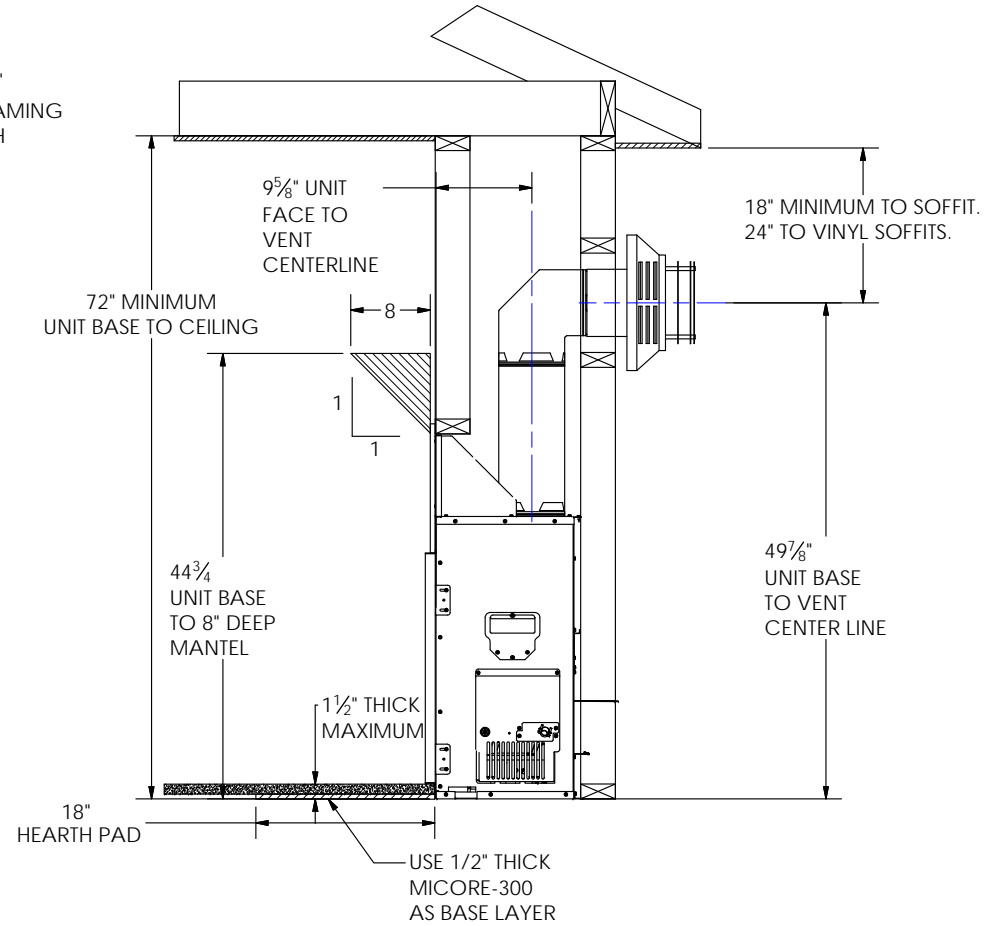
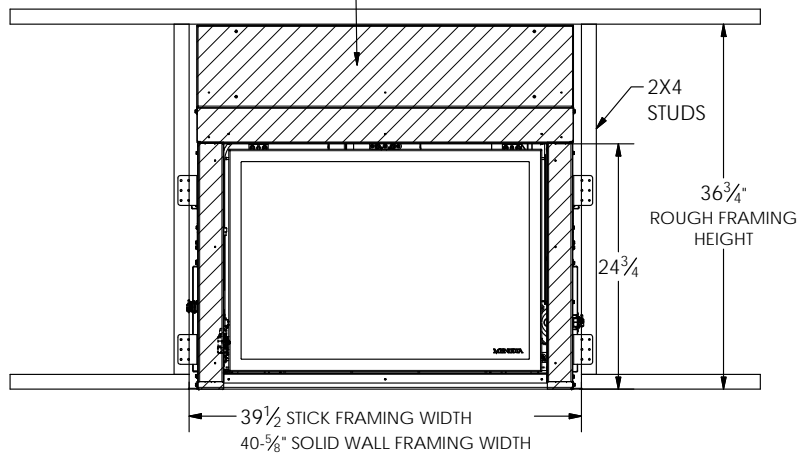


FV34 AND FV34 DECOR SPECIFICATIONS



HATCHED AREAS ARE NON-COMBUSTIBLE ZONES. RECOMMEND USE MICORE-300 1/2" AS BASE MATERIAL.



| | |
|---|---|
| ROUGH FRAMING WIDTH | 39-1/2" STICK FRAMING or 40-5/8" SOLID WALL FRAMING |
| ROUGH FRAMING HEIGHT | 36-3/4" |
| ROUGH FRAMING DEPTH | 14-5/8" |
| MINIMUM FINISHING MATERIALS TOTAL THICKNESS | 1" |
| UNIT BASE TO ROOM CEILING MINIMUM DISTANCE | 72" |
| MINIMUM DISTANCE TO 8" MANTEL ABOVE UNIT BASE | 44-3/4" |
| Column 1 | Column 2 |
| MINIMUM REQUIRED DIMENSIONS | |