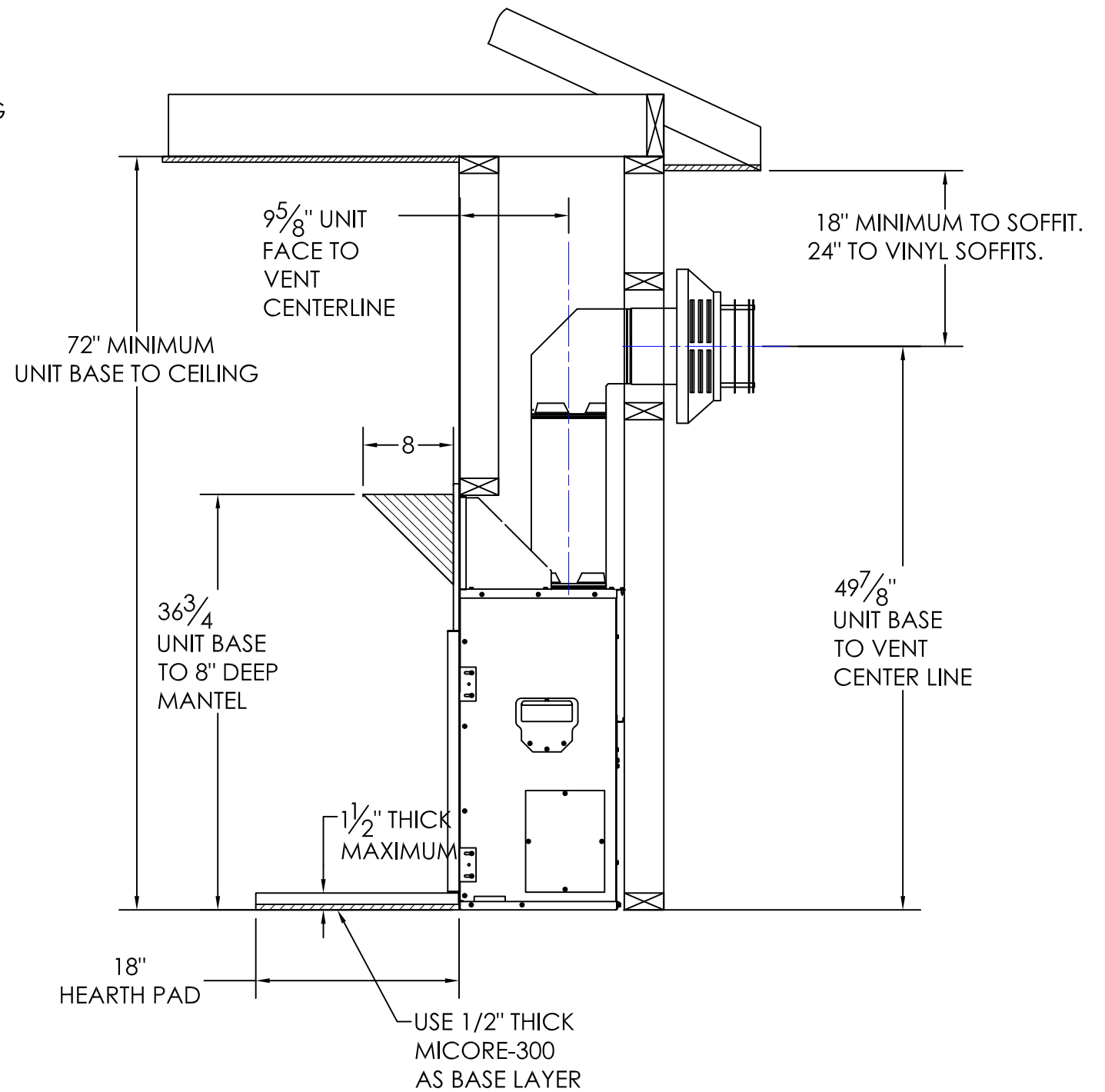
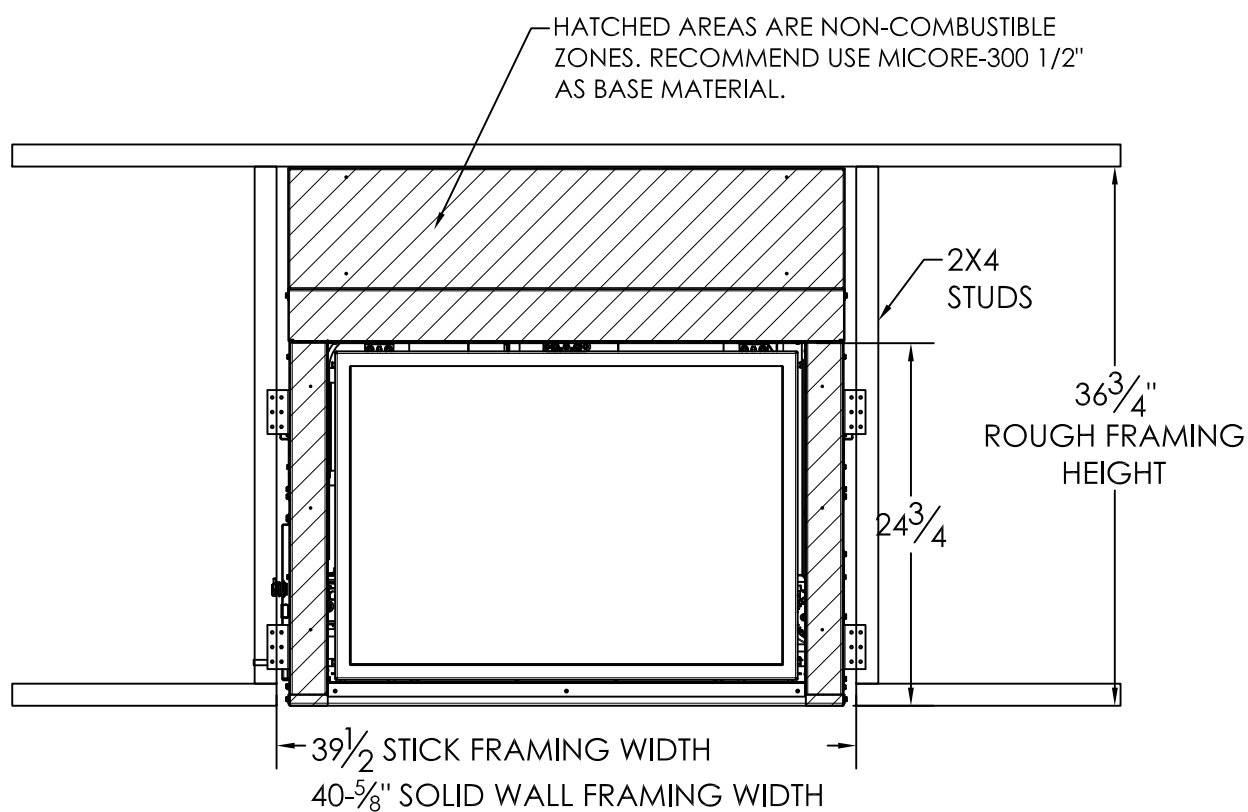
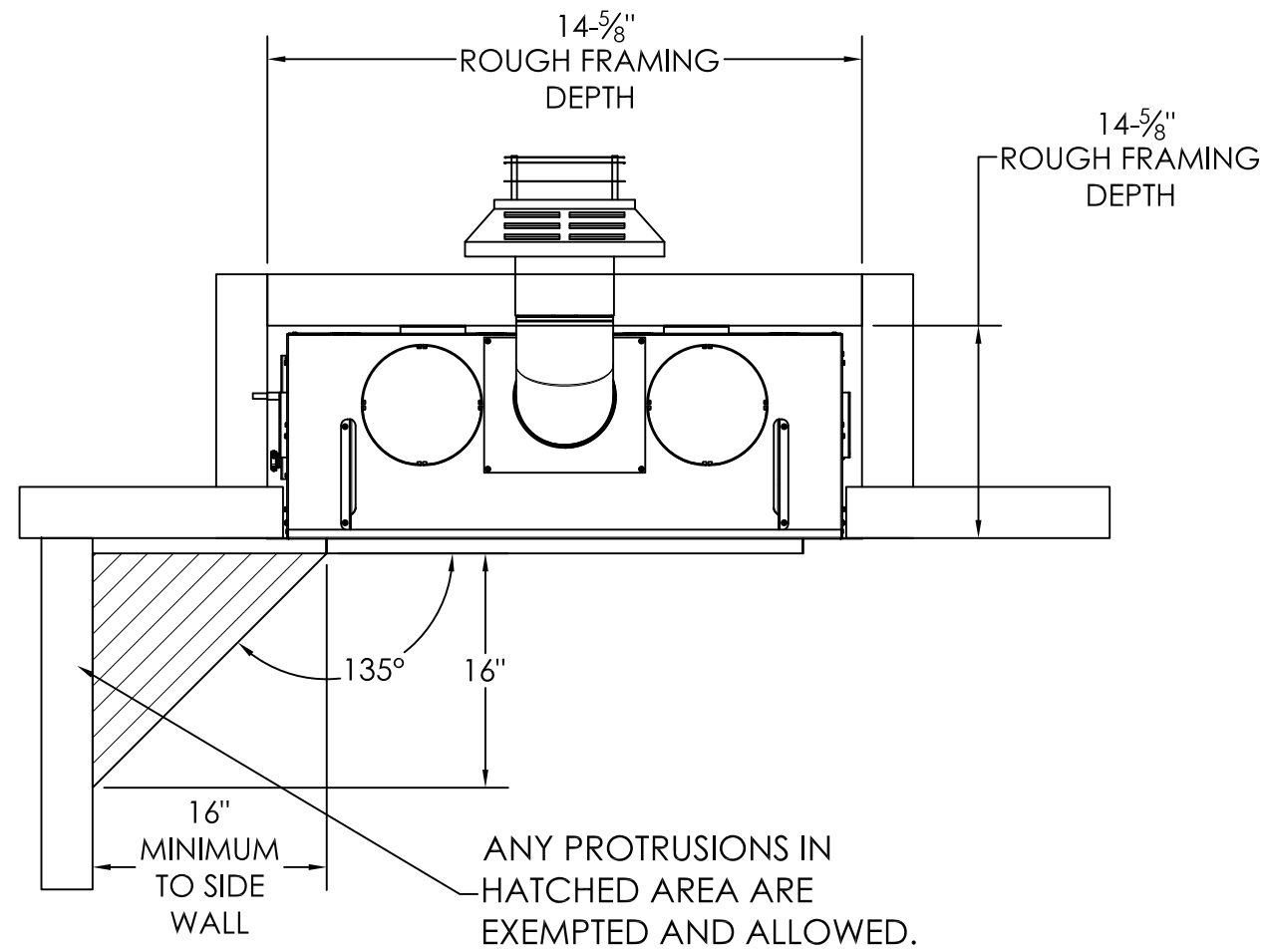
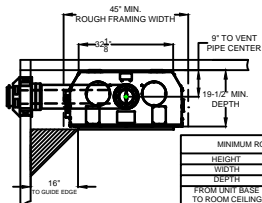


MODEL FV34 DECOR

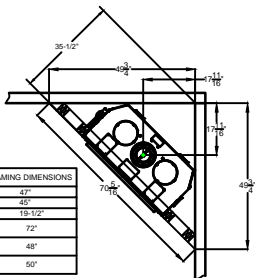


	39-1/2" STICK FRAMING or 40-5/8" SOLID WALL FRAMING
ROUGH FRAMING WIDTH	39-1/2" STICK FRAMING or 40-5/8" SOLID WALL FRAMING
ROUGH FRAMING HEIGHT	36-3/4"
ROUGH FRAMING DEPTH	14-5/8"
MINIMUM FINISHING MATERIALS TOTAL THICKNESS	1"
UNIT BASE TO ROOM CEILING MINIMUM DISTANCE	72"
MINIMUM DISTANCE TO 8" MANTEL ABOVE UNIT BASE	36-3/4"
Column 1	Column 2
MINIMUM REQUIRED DIMENSIONS	

FV41 DECOR



MINIMUM ROUGH FRAMING DIMENSIONS	
HEIGHT	47"
WIDTH	45"
DEPTH	19-1/2"
FROM UNIT BASE TO ROOM CEILING	72"
FROM UNIT BASE TO 8" MANTEL	48"
FROM UNIT BASE TO UNIT ENCLOSURE CEILING	50"



ADJACENT WALLS:

A wall perpendicular to and in front of this fireplace's glass door surface must be at least 16 inches from the side edges of the facing guide.

A wall at 45° to the glass surface and starting at this fireplace's outer edge is permitted. Projections behind this wall (in shaded area) are permitted.

