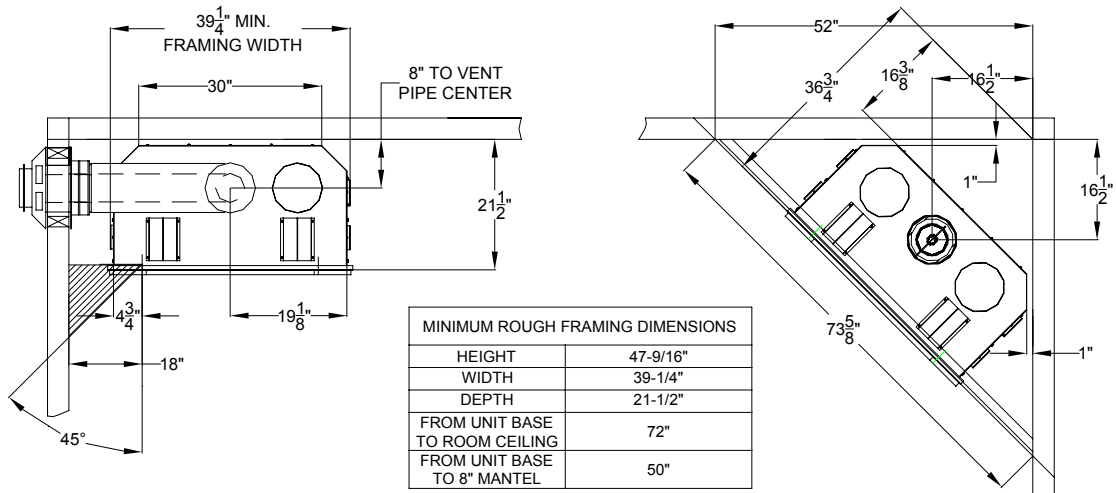


M-50 GAS DIRECT VENT FIREPLACE GENERAL APPLIANCE SPECIFICATIONS

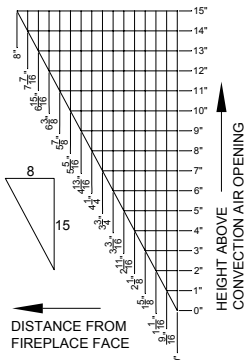
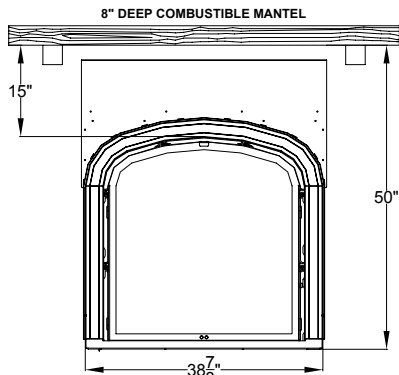
Figure 1: General Appliance Specifications



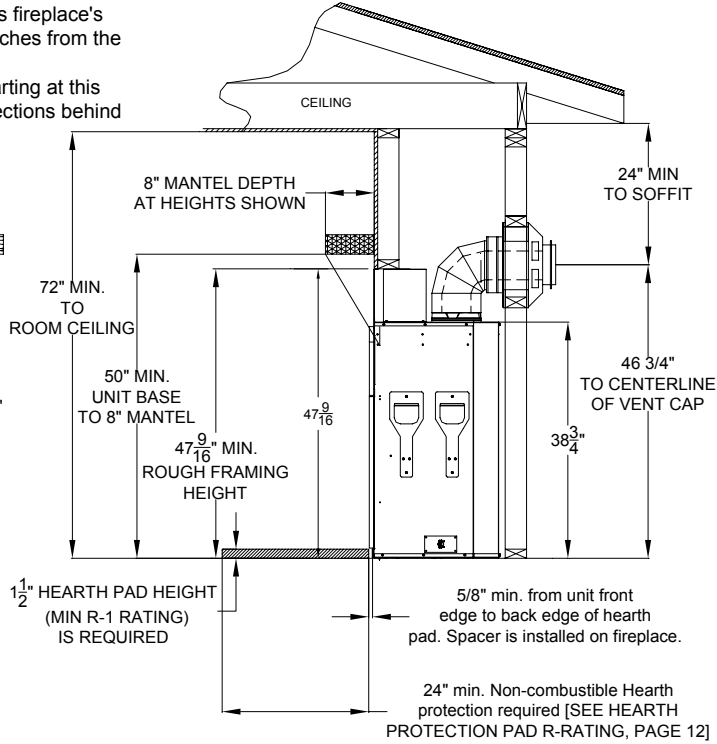
ADJACENT WALLS:

A wall perpendicular to and in front of this fireplace's glass door surface must be at least 18 inches from the side edges of the visible glass.

A wall at 45° to the glass surface and starting at this Fireplace's outer edge is permitted. Projections behind this wall (in shaded area) are permitted.



APPROVED MANTEL PROFILE



NOTE: For every 1" this fireplace is raised off the floor, the non-combustible hearth protection pad may be reduced by 2". If this fireplace is raised off the floor more than 12", No hearth protection pad is required.