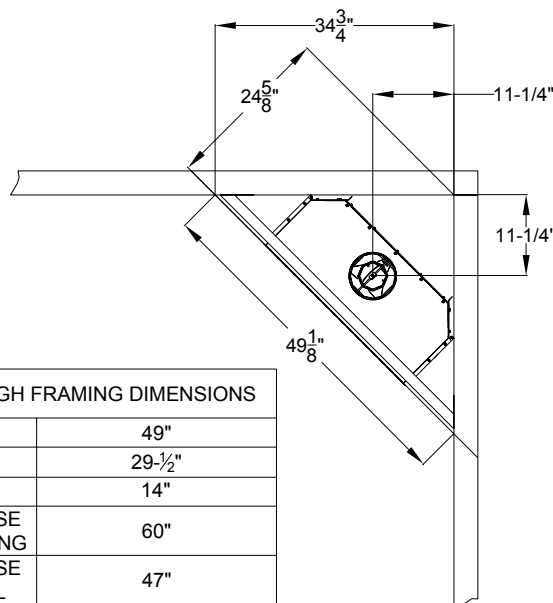
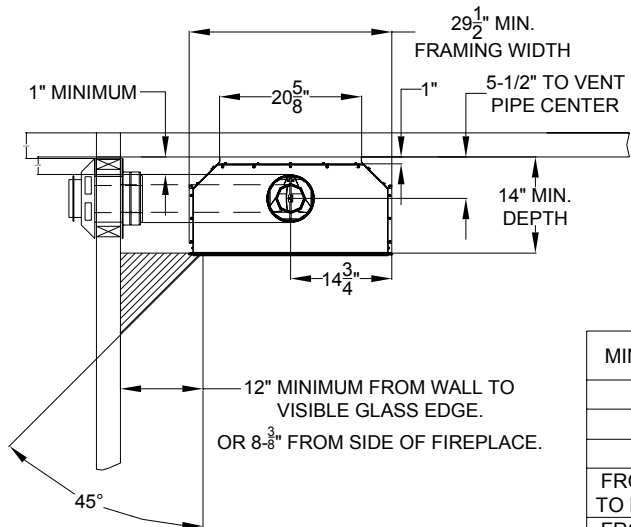


# M-27 GAS DIRECT VENT FIREPLACE GENERAL APPLIANCE SPECIFICATIONS

Figure 1: General Appliance Specifications

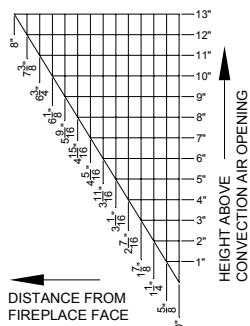
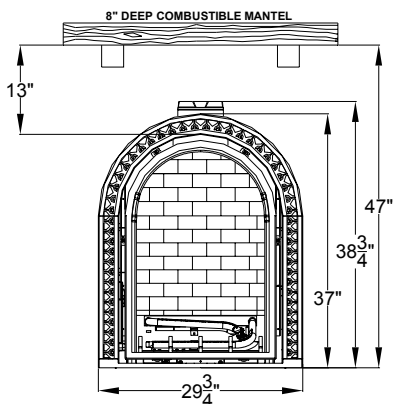


MINIMUM ROUGH FRAMING DIMENSIONS	
HEIGHT	49"
WIDTH	29-1/2"
DEPTH	14"
FROM UNIT BASE TO ROOM CEILING	60"
FROM UNIT BASE TO 8" MANTEL	47"

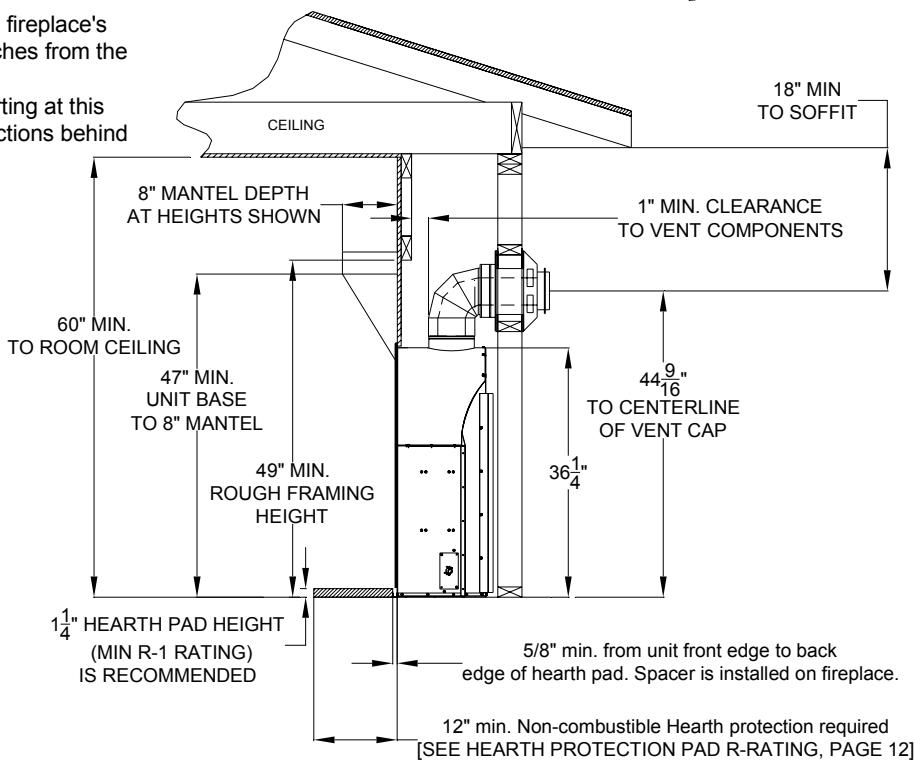
### ADJACENT WALLS:

A wall perpendicular to and in front of this fireplace's glass door surface must be at least 12 inches from the side edges of the visible glass.

A wall at 45° to the glass surface and starting at this fireplace's outer edge is permitted. Projections behind this wall (in shaded area) are permitted.



APPROVED MANTEL PROFILE



NOTE: For every 1" this fireplace is raised off the floor, the non-combustible hearth protection pad may be reduced by 2". If this fireplace is raised off the floor more than 6", No hearth protection pad is required.