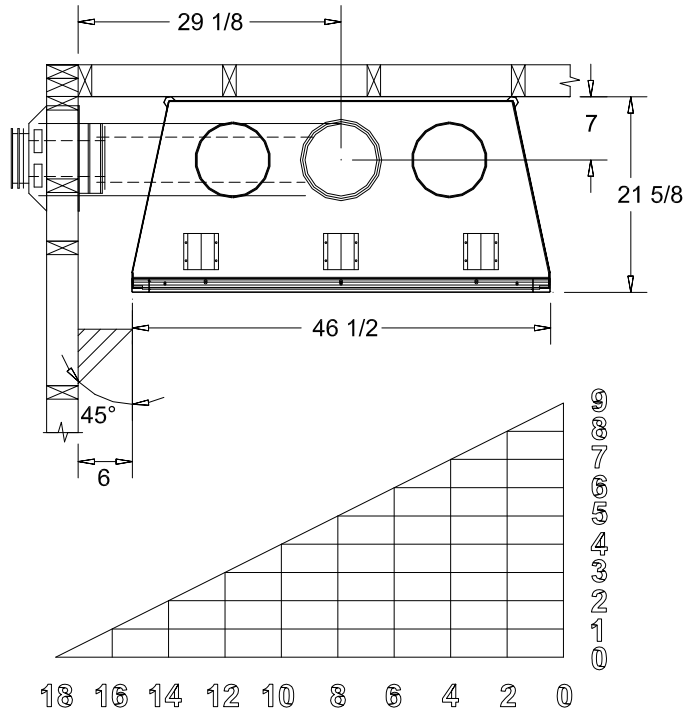
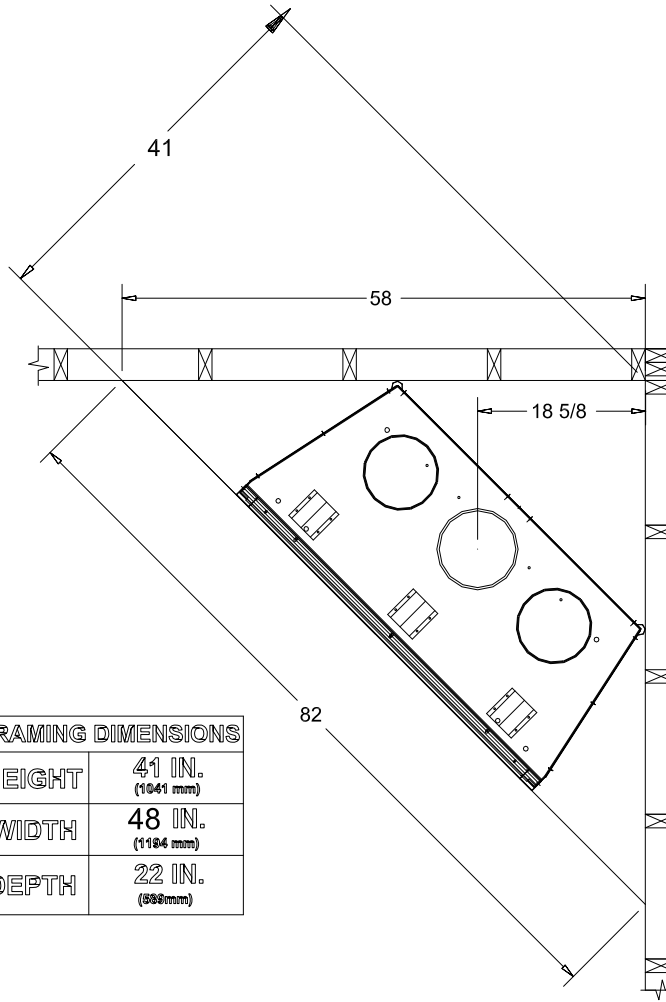


**MENDOTA MODEL DXV-60 TOP VENT
USE ONLY DURAVENT 5"X8" COAXIAL PIPES AND VENTING COMPONENTS.**

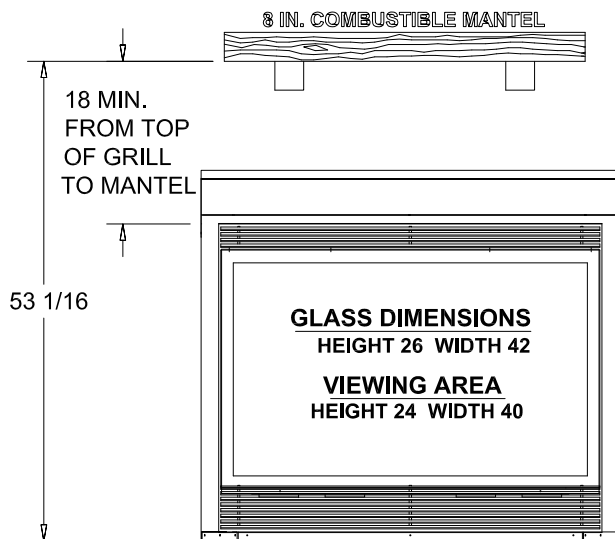


FRAMING DIMENSIONS	
HEIGHT	41 IN. (1041 mm)
WIDTH	48 IN. (1186 mm)
DEPTH	22 IN. (559 mm)



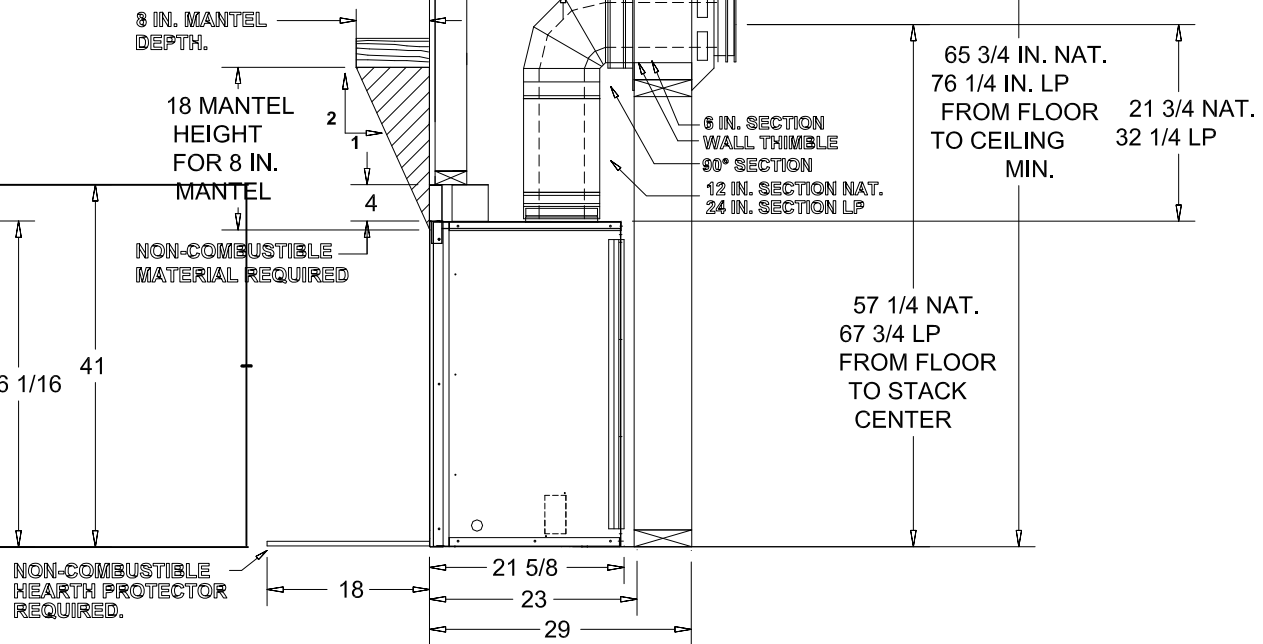
HEARTH TABLE

FOR EVERY 2 IN. THAT THE HEARTH IS REDUCED THE HEIGHT OF THE UNIT MUST BE RAISED BY 1 IN.



NOTE: HORIZONTAL SECTION MUST BE FLUSH WITH OUTSIDE WALL

**AA-11-00458
HEAT SHIELD
MUST BE INSTALLED IF
COMBUSTIBLE WALL
COVERING IS PRESENT.**



MINIMUM HORIZONTAL VENTING