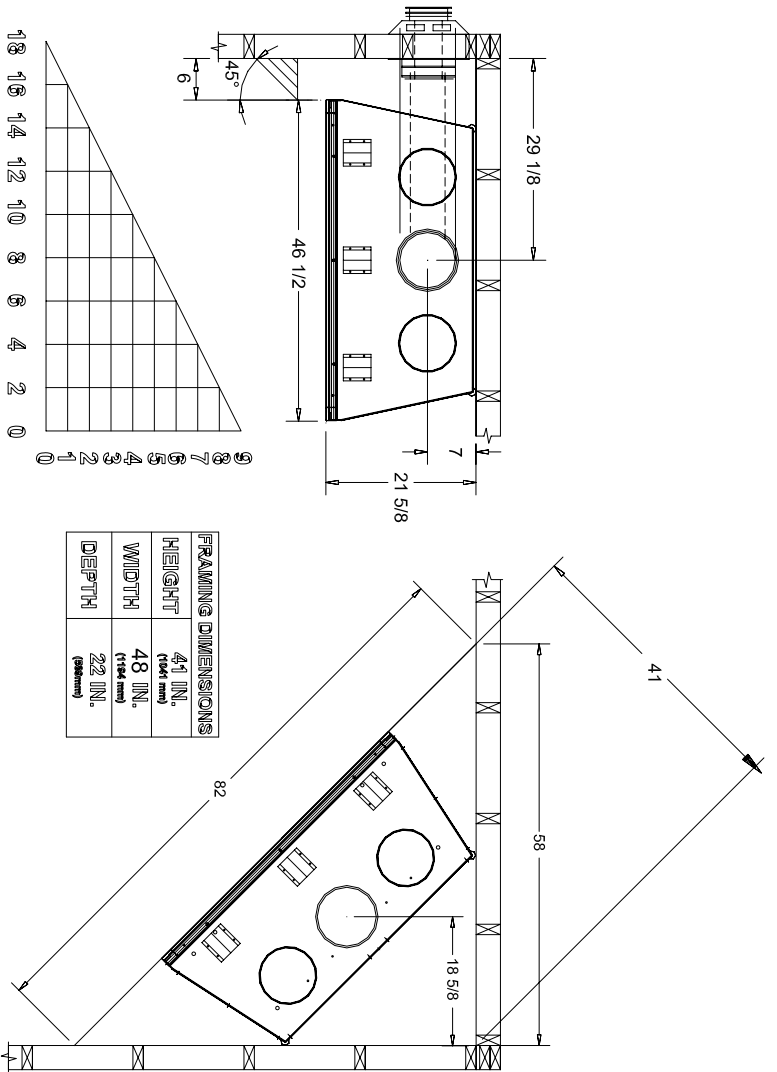
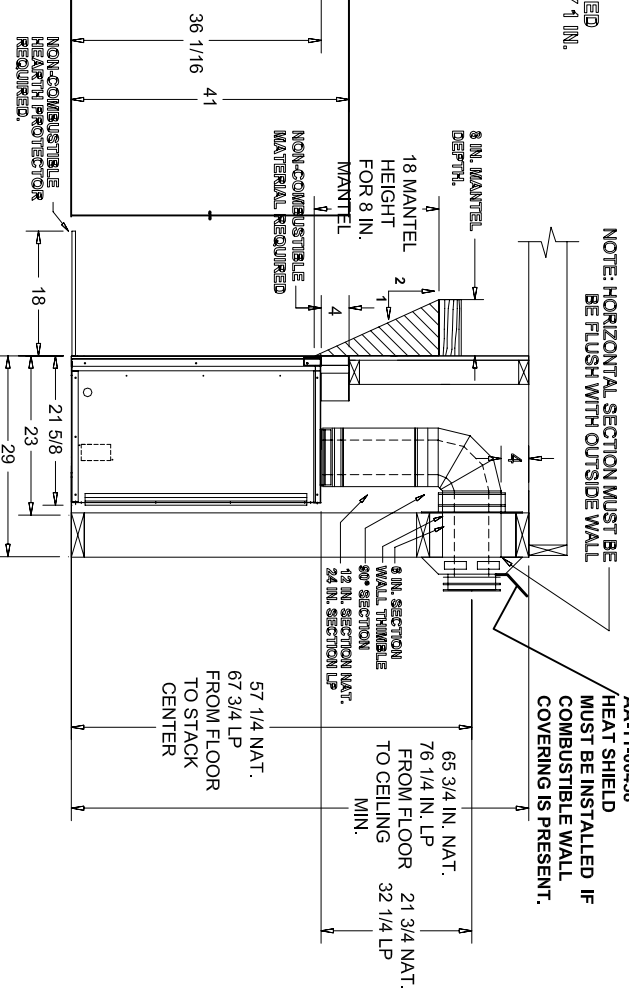
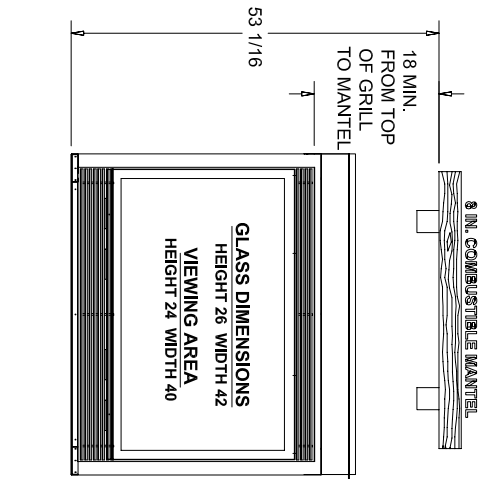


**MENDOTA MODEL DXV-60 TOP VENT  
USE ONLY DURAVENT 5"X8" COAXIAL PIPES AND VENTING COMPONENTS.**



**HEARTH TABLE**

FOR EVERY 2 IN. THAT THE HEARTH IS REDUCED THE HEIGHT OF THE UNIT MUST BE RAISED BY 1 IN.



NOTE: HORIZONTAL SECTION MUST BE BE FLUSH WITH OUTSIDE WALL

AA-11-00458  
HEAT SHIELD MUST BE INSTALLED IF COMBUSTIBLE WALL COVERING IS PRESENT.

MINIMUM HORIZONTAL VENTING