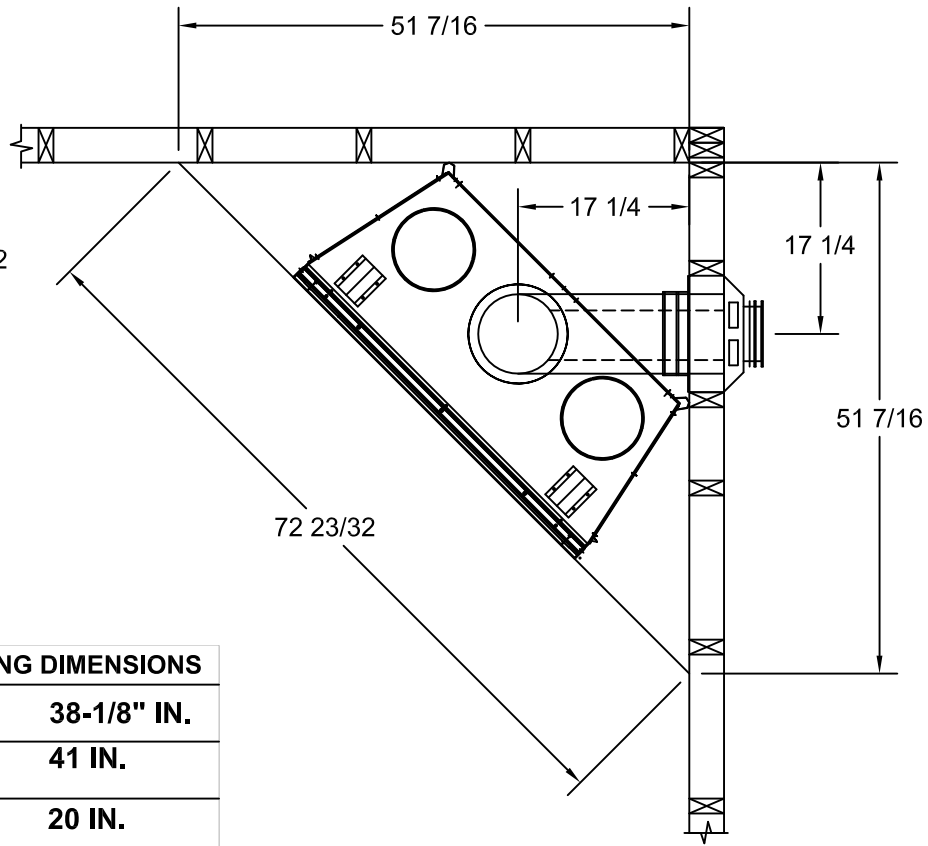
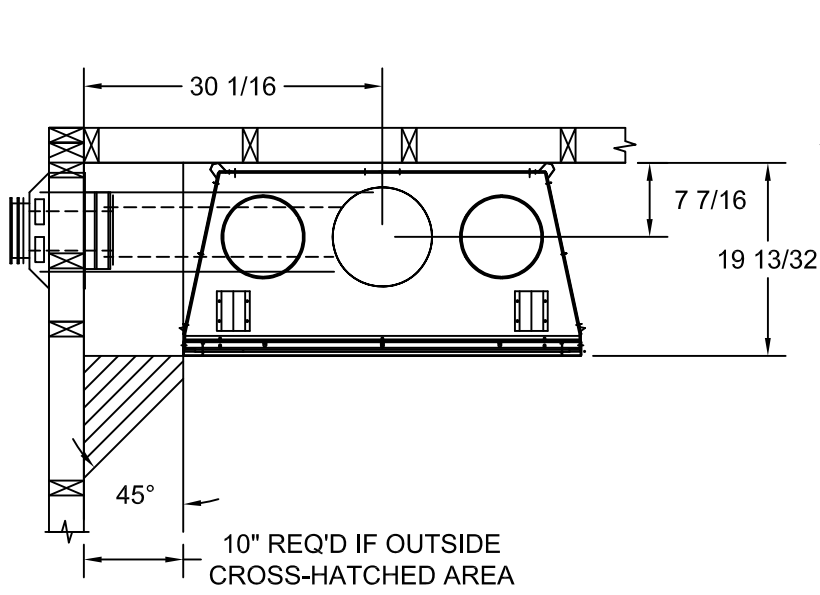
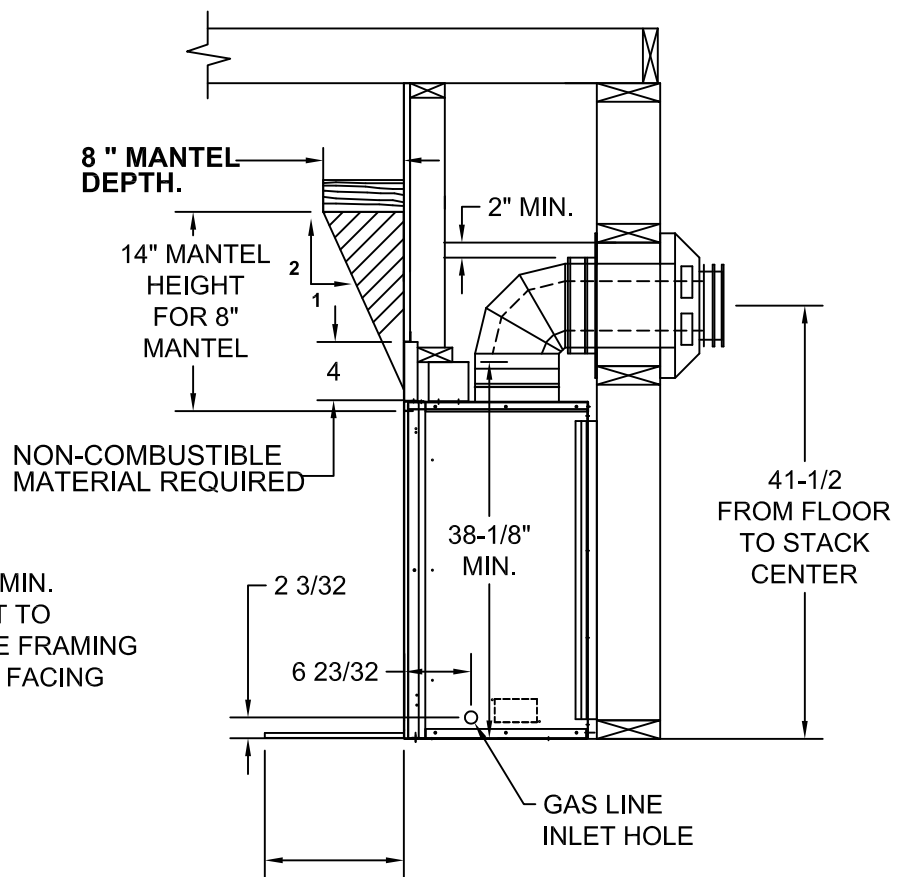
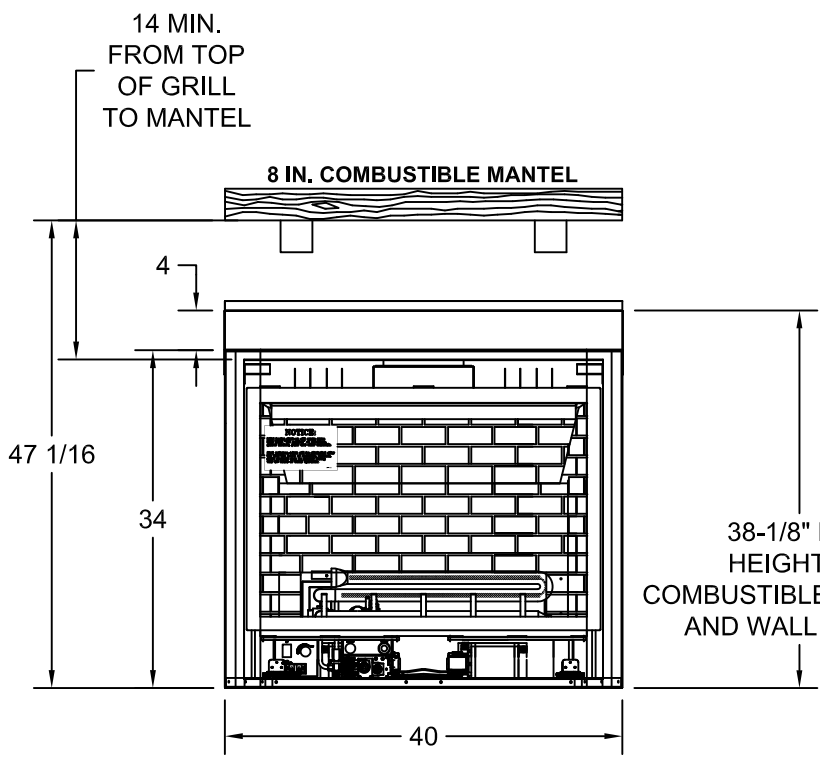


MENDOTA MODEL DXV-45 TOP VENT
 USE ONLY DURAVENT 5"X8" COAXIAL PIPES AND VENTING COMPONENTS.



MINIMUM FRAMING DIMENSIONS	
HEIGHT	38-1/8" IN.
WIDTH	41 IN.
DEPTH	20 IN.



14" HEARTH PROTECTION
 [NOT REQUIRED IF FIREPLACE IS ELEVATED MIN. 6"]
 SEE PAGE 17 FOR HEARTH PROTECTION REQUIREMENT
 WHEN INSTALLING ANDOVER OR PRAIRIE FRONTS.