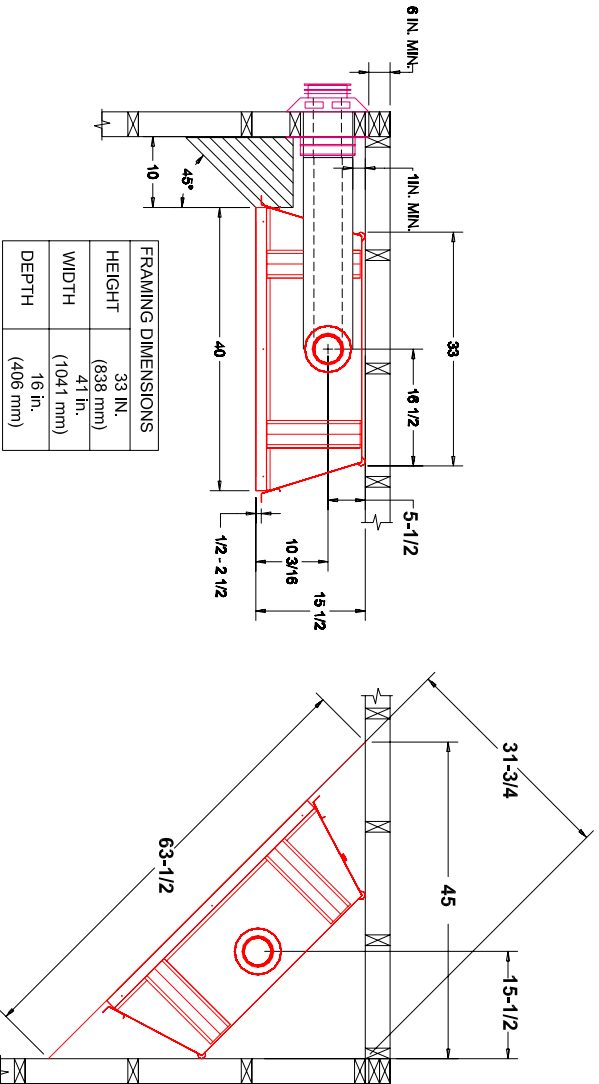
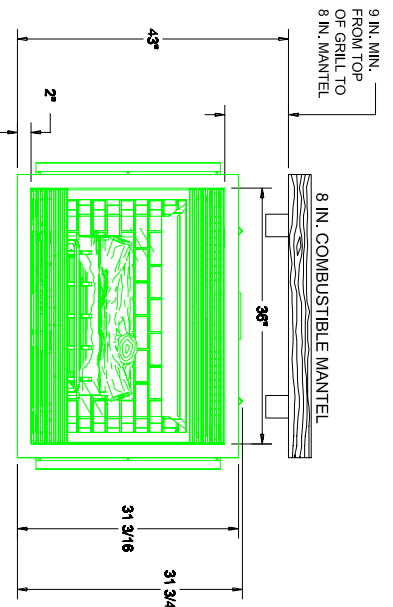


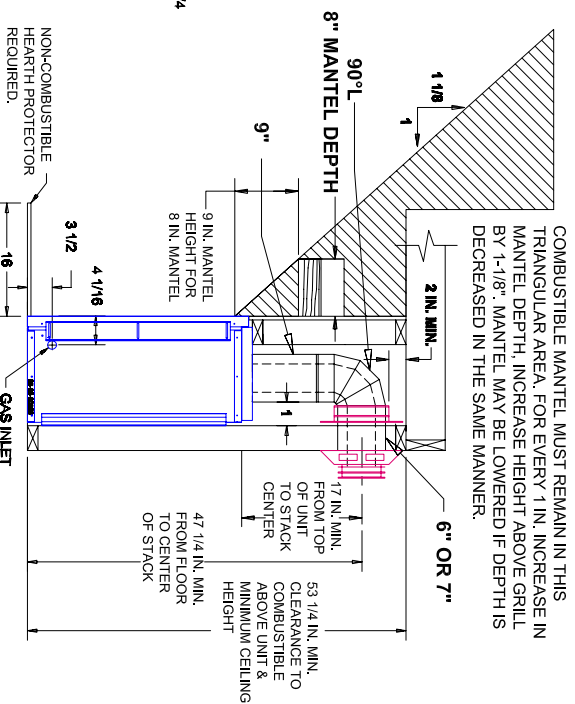
**MENDOTA MODEL DXV-42 TOP VENT
USE ONLY DURAVENT 4"X6-5/8" COAXIAL PIPES AND VENTING COMPONENTS.**



ADJACENT WALLS:
A WALL, PERPENDICULAR TO AND IN FRONT OF THE APPLIANCE FRONT FACING, MUST BE AT LEAST 10 INCHES FROM THE FIREBOX OPENING. A WALL AT 45° TO THE FRONT AND STARTING AT THE APPLIANCE'S OUTER EDGE IS PERMITTED. PROJECTIONS BEHIND THIS WALL (SHADED AREA) ARE PERMITTED.



IF MANTELS MADE OF A NON-COMBUSTIBLE MATERIAL (BRICK, STONE, ETC.) OR HAS A STEEL PROTECTOR PLATE ON THE UNDERSIDE, IT MAY BE PLACED ANYWHERE ABOVE THE GRILL.



COMBUSTIBLE MANTEL MUST REMAIN IN THIS TRIANGULAR AREA. FOR EVERY 1 IN. INCREASE IN MANTEL DEPTH, INCREASE HEIGHT ABOVE GRILL BY 1-1/8". MANTEL MAY BE LOWERED IF DEPTH IS DECREASED IN THE SAME MANNER.

FOR EVERY 1 IN. FIREPLACE IS RAISED OFF FLOOR, HEARTH PROTECTOR MAY BE REDUCED BY 2 IN. IF FIREPLACE IS RAISED 6 IN. OR MORE, NO HEARTH PROTECTION IS REQUIRED.