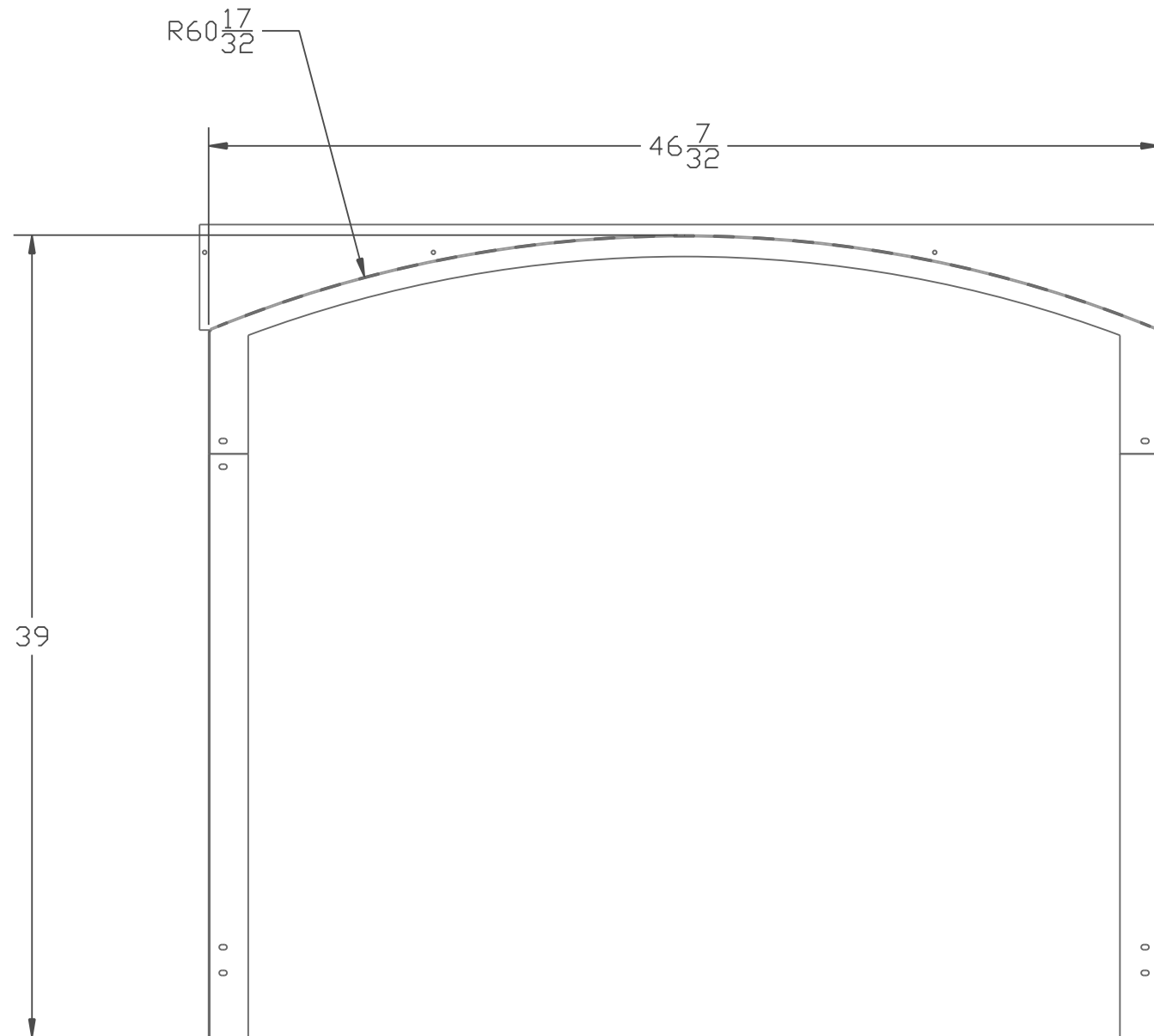


TOLERANCES UNLESS SPECIFIED OTHERWISE

ANGLES: ±2 DEGREES  
 0.X: ± 0.062  
 0.XX: ± 0.031  
 0.XXX: ± 0.015  
 0.XXXX: ± 0.005  
 FRACTIONS: ± 1/32

B-00-00-00000



THIS PRINT IS PROPERTY OF JOHNSON GAS APPLIANCE CO. ANY UNAUTHORIZED USE IS PROHIBITED.

PART NAME	DXV-60 ACCENT BORDER SPECS	QTY.	SEE BOM
-----------	----------------------------	------	---------

MAT'L. MATERIAL		USED ON:	SEE BOM
-----------------	--	----------	---------

BLANK SIZE	00 GA. X 0.000 X 0.000	DWN. BY-	AAA
------------	------------------------	----------	-----

↑	ENTER DESCRIPTION ENTER DESCRIPTION	AAA 11/11/11	AAA 11/11/11	XXXX
↑	CHANGE	DWN. BY DATE	CHK. BY DATE	ECO NO.

SCALE	1" = 1"	JOHNSON GAS APPLIANCE CO. CEDAR RAPIDS, IOWA 52405	B-00-00-00000
DATE	00/00/00		