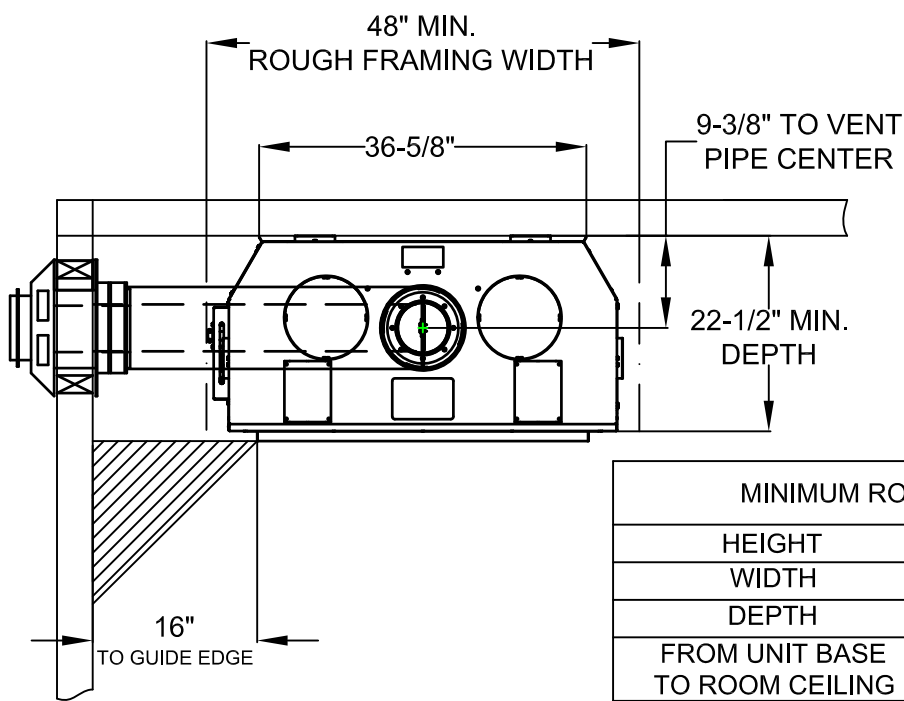
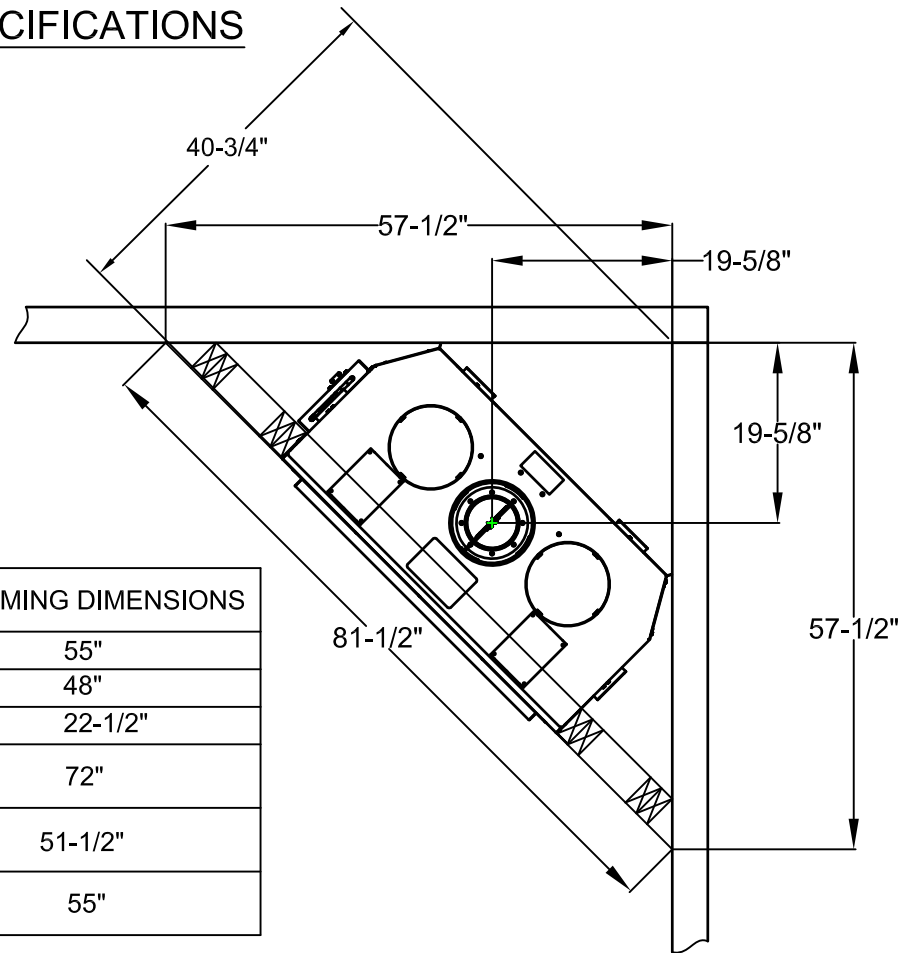


FV-46 GAS DIRECT VENT FIREPLACE

GENERAL APPLIANCE SPECIFICATIONS



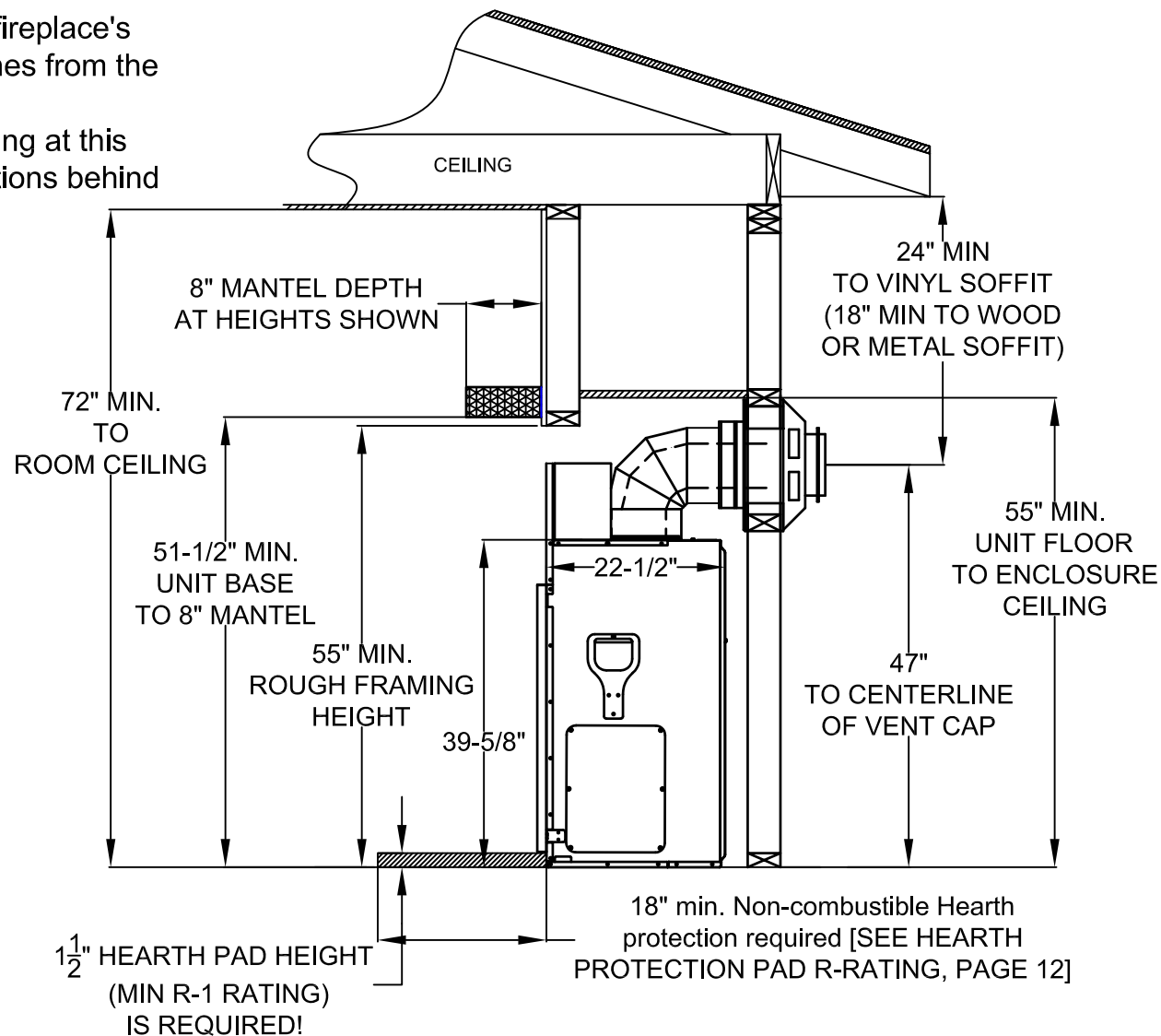
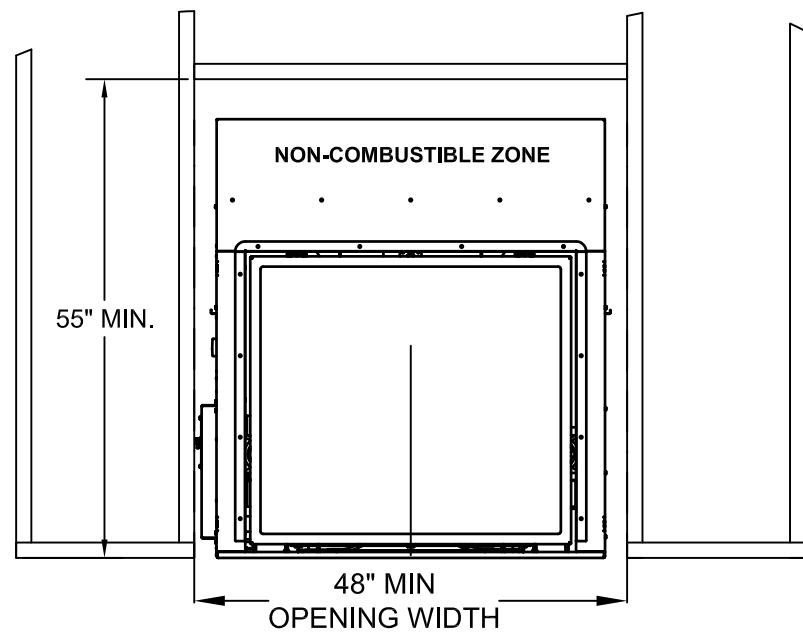
MINIMUM ROUGH FRAMING DIMENSIONS	
HEIGHT	55"
WIDTH	48"
DEPTH	22-1/2"
FROM UNIT BASE TO ROOM CEILING	72"
FROM UNIT BASE TO 8" MANTEL	51-1/2"
FROM UNIT BASE TO UNIT ENCLOSURE CEILING	55"



ADJACENT WALLS:

A wall perpendicular to and in front of this fireplace's glass door surface must be at least 16 inches from the side edges of the facing guide.

A wall at 45° to the glass surface and starting at this Fireplace's outer edge is permitted. Projections behind this wall (in shaded area) are permitted.



NOTE: For every 1" this fireplace is raised off the floor, the non-combustible hearth protection pad may be reduced by 2". If this fireplace is raised off the floor more than 6", No hearth protection pad is required.