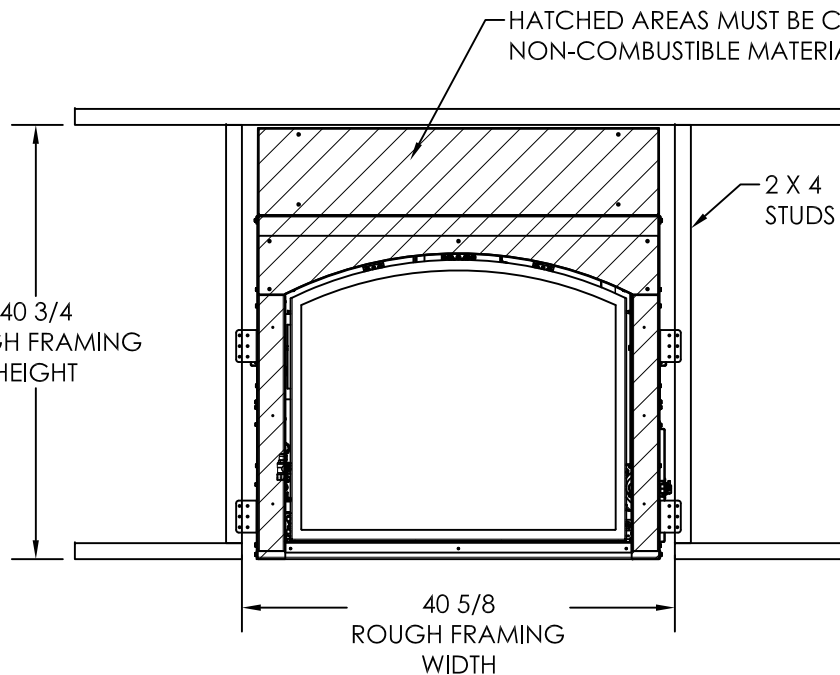
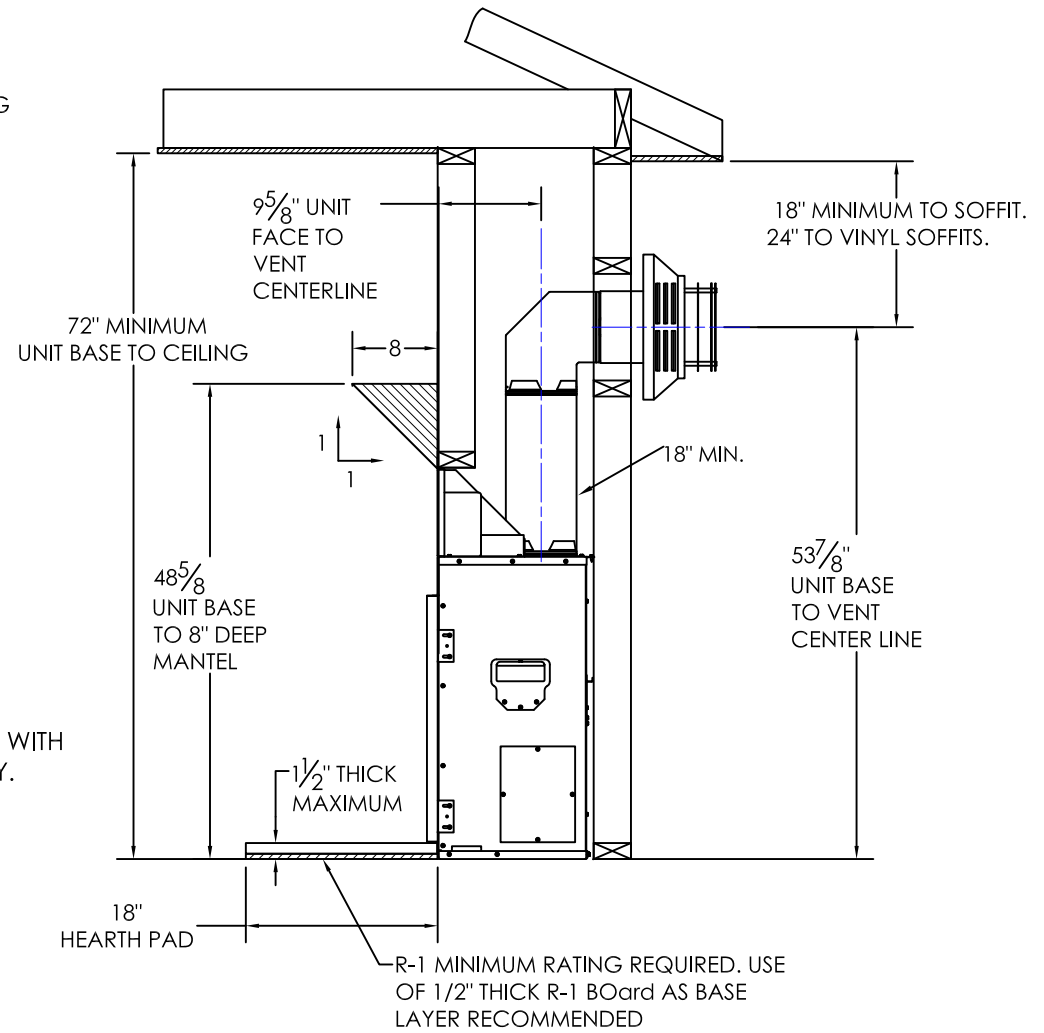
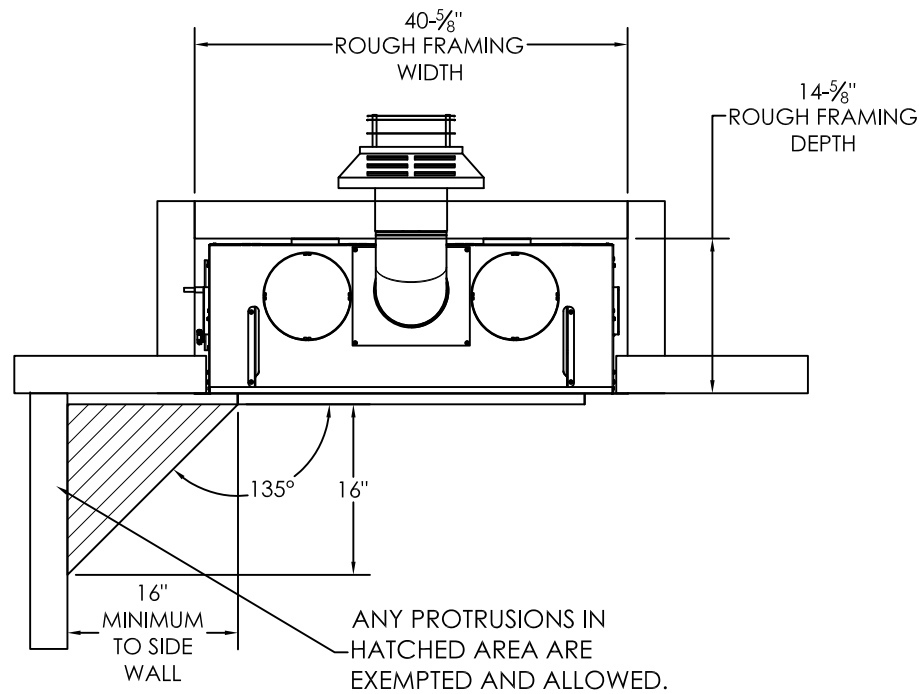


# MODEL FV34 ARCH



| MINIMUM REQUIRED DIMENSIONS                   |         |
|---|---------|
| ROUGH FRAMING WIDTH                           | 40-5/8" |
| ROUGH FRAMING HEIGHT                          | 40-3/4" |
| ROUGH FRAMING DEPTH                           | 14-5/8" |
| MINIMUM FINISHING MATERIALS TOTAL THICKNESS   | 1"      |
| UNIT BASE TO ROOM CEILING MINIMUM DISTANCE    | 72"     |
| MINIMUM DISTANCE TO 8" MANTEL ABOVE UNIT BASE | 48-5/8" |