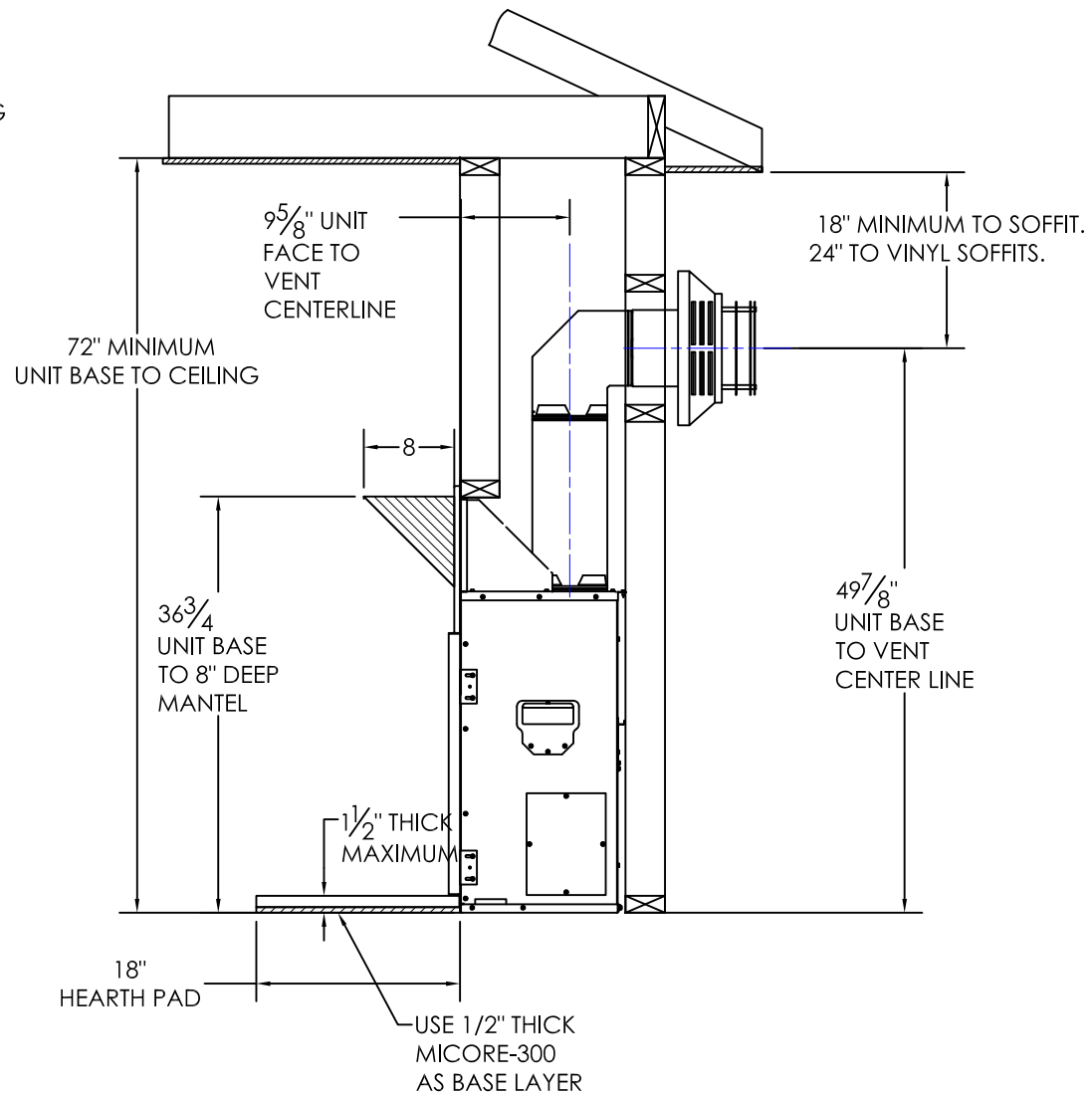
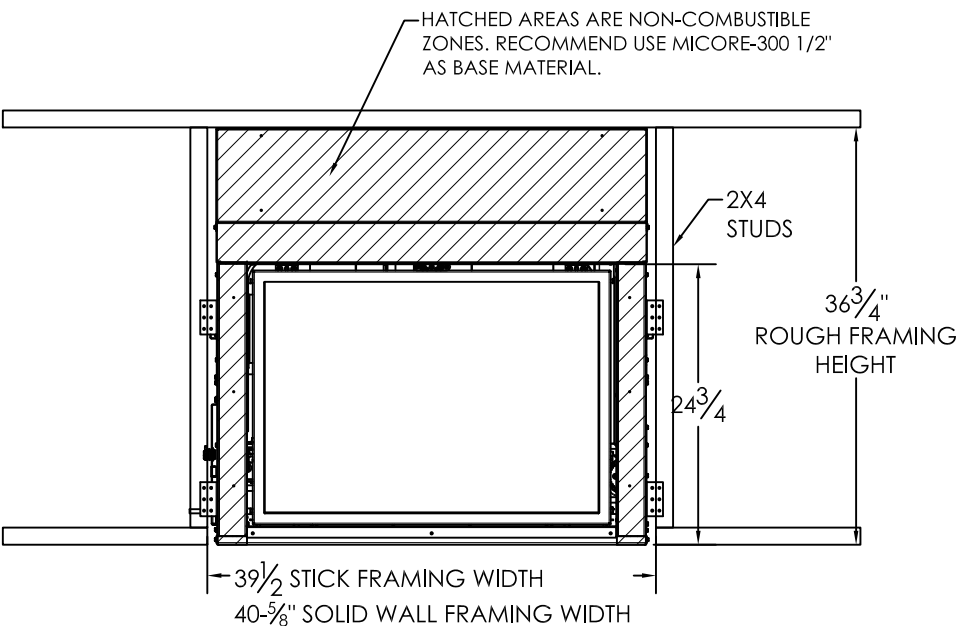
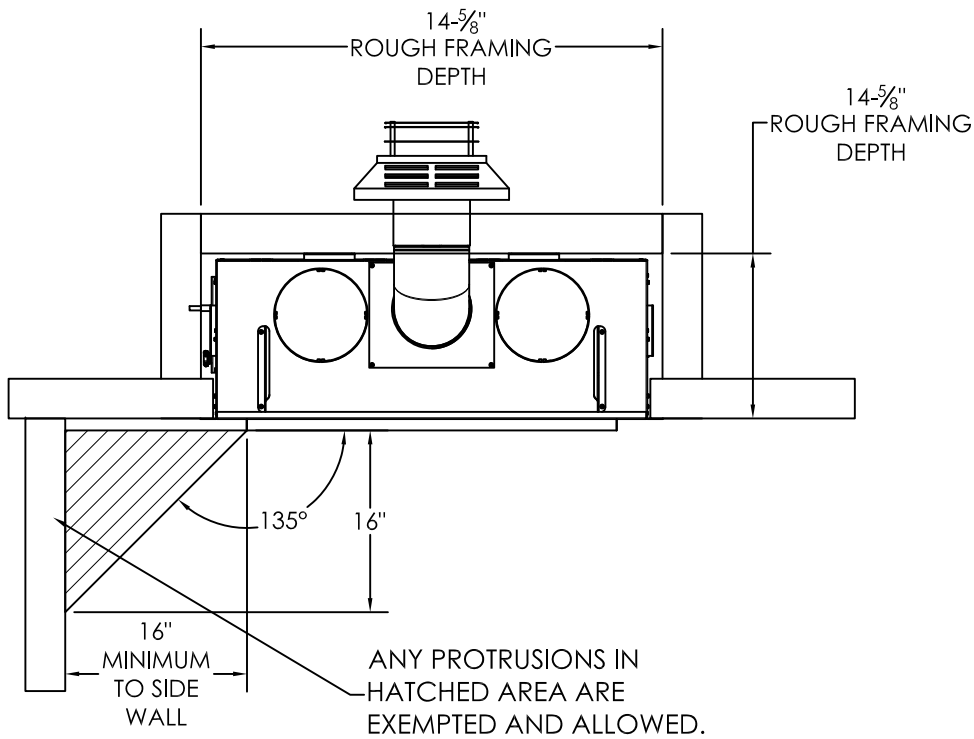


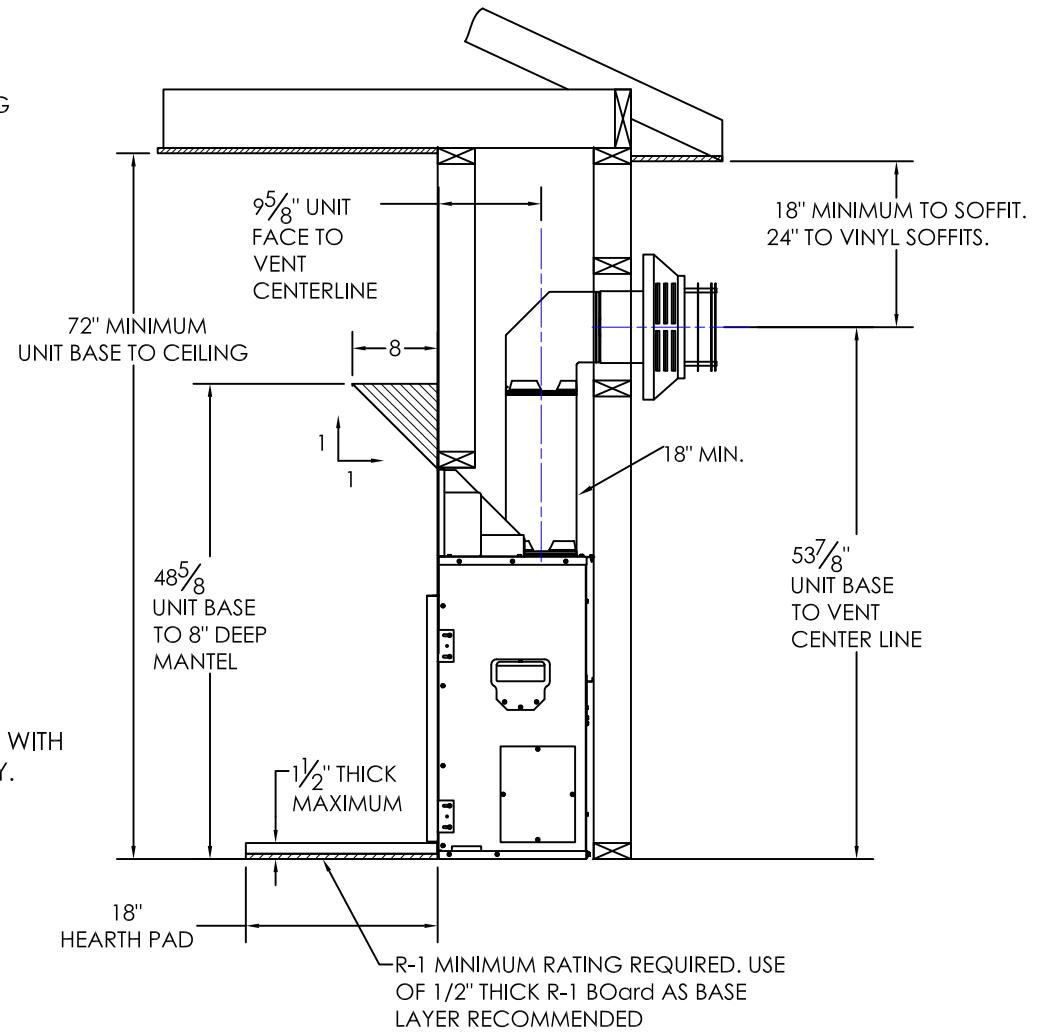
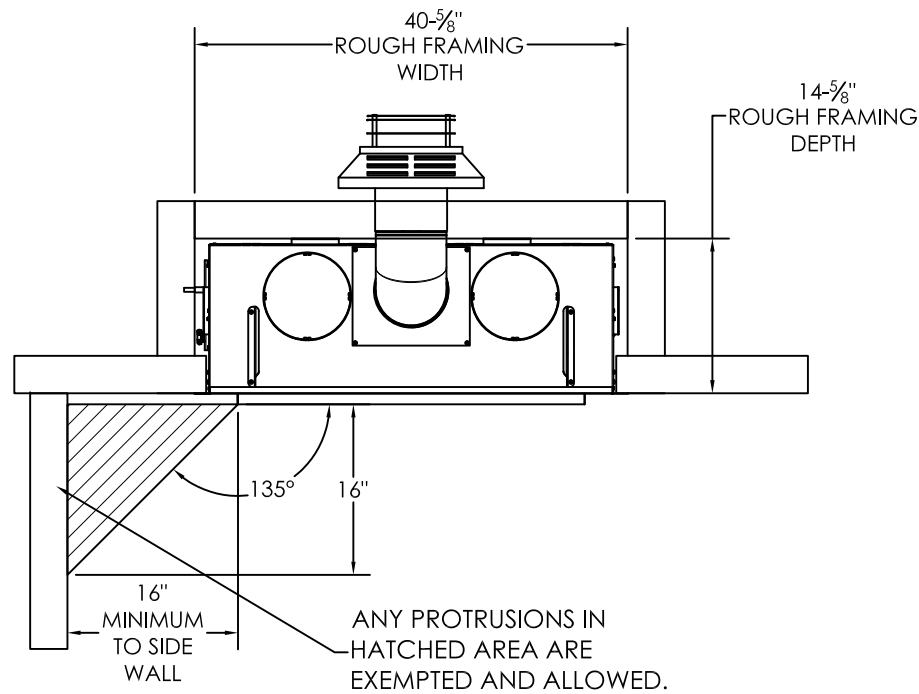
# MODEL FV34



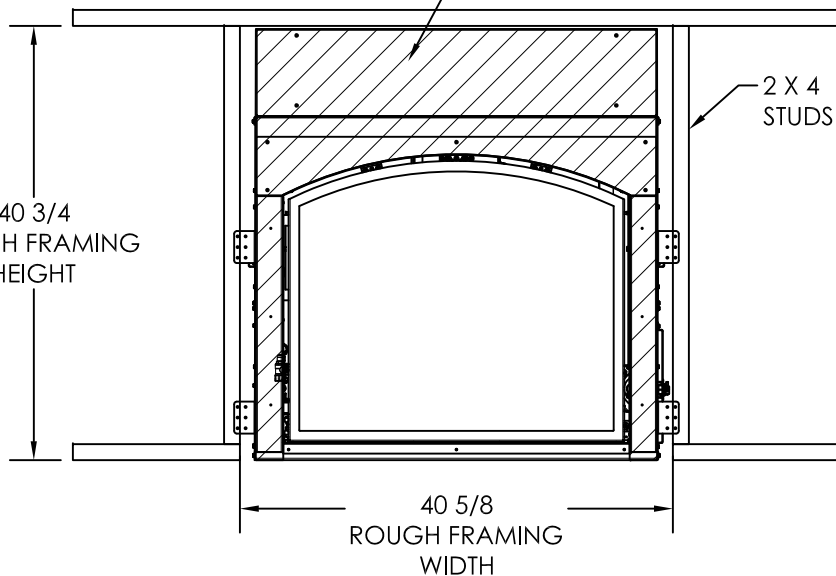
	39-1/2" STICK FRAMING or 40-5/8" SOLID WALL FRAMING
ROUGH FRAMING WIDTH	39-1/2" STICK FRAMING or 40-5/8" SOLID WALL FRAMING
ROUGH FRAMING HEIGHT	36-3/4"
ROUGH FRAMING DEPTH	14-5/8"
MINIMUM FINISHING MATERIALS TOTAL THICKNESS	1"
UNIT BASE TO ROOM CEILING MINIMUM DISTANCE	72"
MINIMUM DISTANCE TO 8" MANTEL ABOVE UNIT BASE	36-3/4"
Column 1	Column 2

MINIMUM REQUIRED DIMENSIONS

# MODEL FV34 ARCH



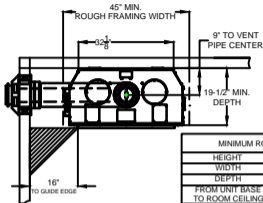
HATCHED AREAS MUST BE COVERED WITH NON-COMBUSTIBLE MATERIALS ONLY.



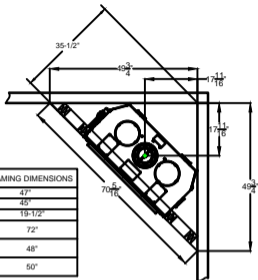
## MINIMUM REQUIRED DIMENSIONS

ROUGH FRAMING WIDTH	40-5/8"
ROUGH FRAMING HEIGHT	40-3/4"
ROUGH FRAMING DEPTH	14-5/8"
MINIMUM FINISHING MATERIALS TOTAL THICKNESS	1"
UNIT BASE TO ROOM CEILING MINIMUM DISTANCE	72"
MINIMUM DISTANCE TO 8" MANTEL ABOVE UNIT BASE	48-5/8"

# FV41 TRADITIONAL



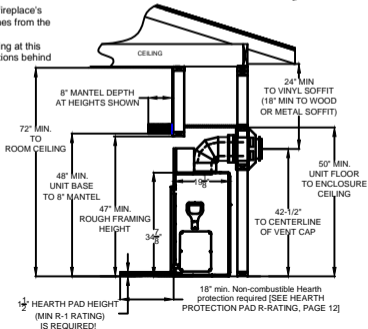
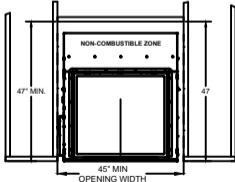
MINIMUM ROUGH FRAMING DIMENSIONS	
HEIGHT	47"
WIDTH	45"
DEPTH	19-1/2"
FROM UNIT BASE TO ROOM CEILING	72"
FROM UNIT BASE TO 8" MANTEL	48"
FROM UNIT BASE TO UNIT ENCLOSURE CEILING	50"



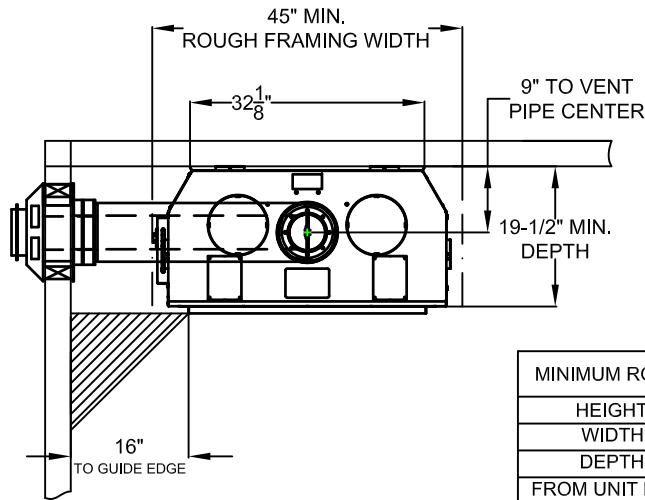
## ADJACENT WALLS:

A wall perpendicular to and in front of this fireplace's glass door surface must be at least 16 inches from the side edges of the facing guide.

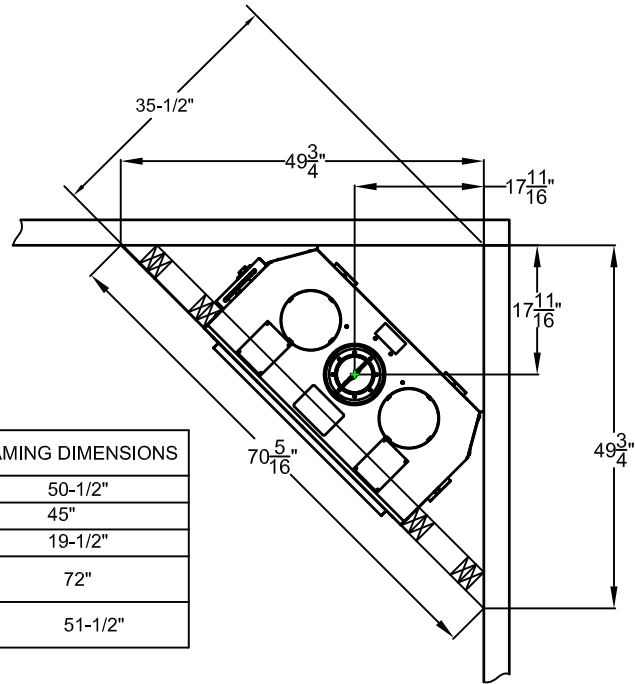
A wall at 45° to the glass surface and starting at this Fireplace's outer edge is permitted. Projections behind this wall (in shaded area) are permitted.



# MODEL FV41 ARCH



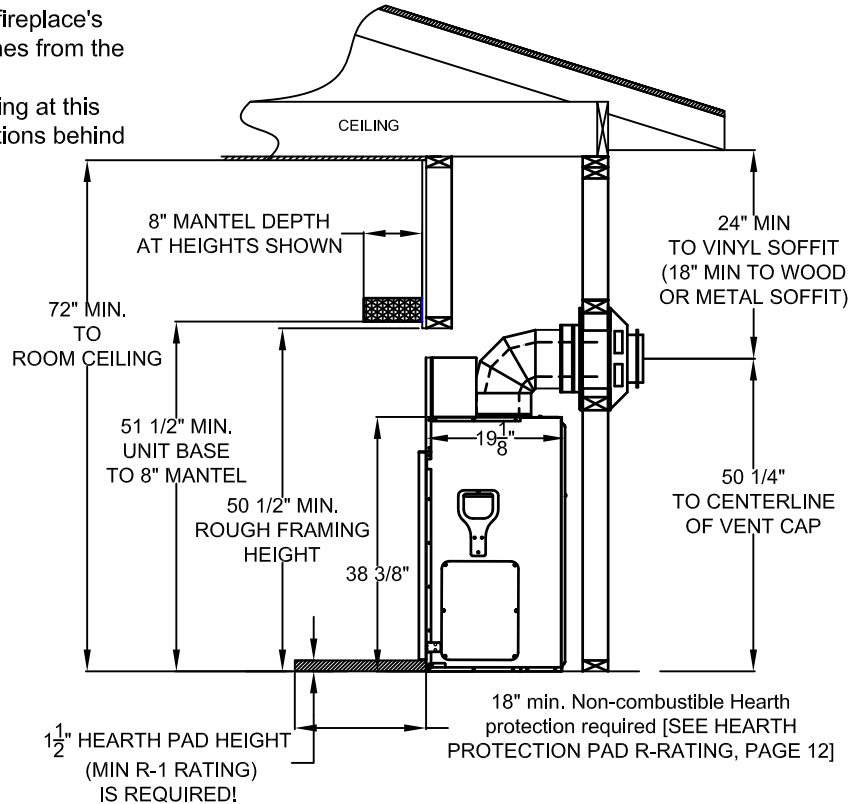
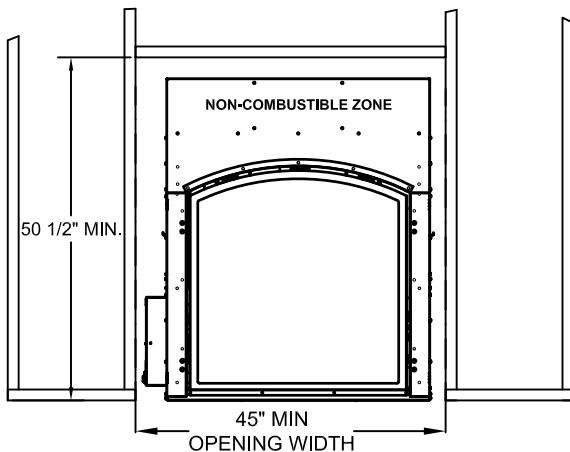
MINIMUM ROUGH FRAMING DIMENSIONS	
HEIGHT	50-1/2"
WIDTH	45"
DEPTH	19-1/2"
FROM UNIT BASE TO ROOM CEILING	72"
FROM UNIT BASE TO 8" MANTEL	51-1/2"



## ADJACENT WALLS:

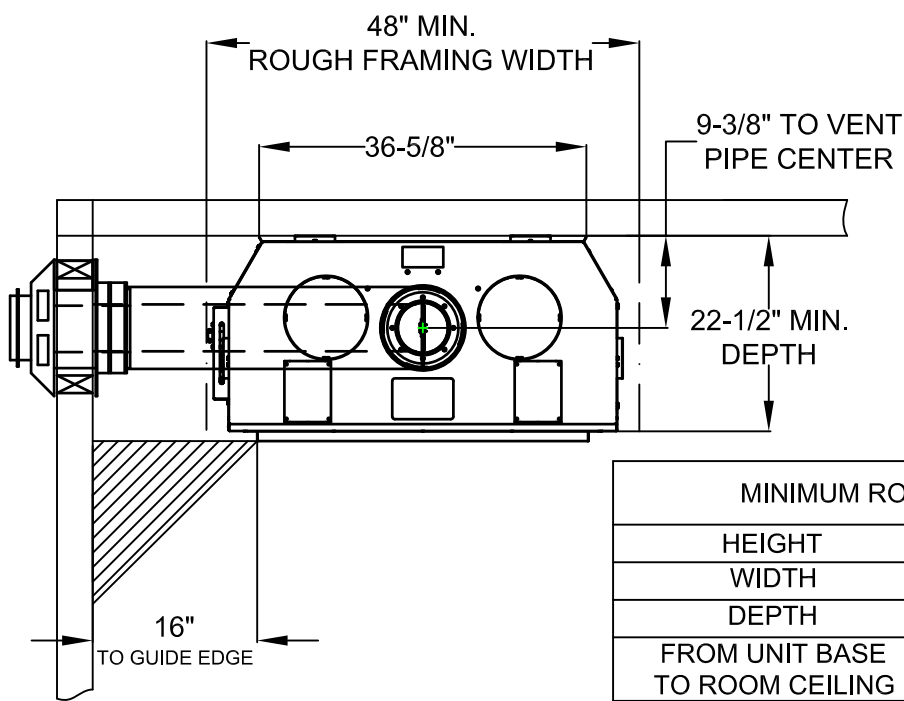
A wall perpendicular to and in front of this fireplace's glass door surface must be at least 16 inches from the side edges of the facing guide.

A wall at 45° to the glass surface and starting at this Fireplace's outer edge is permitted. Projections behind this wall (in shaded area) are permitted.

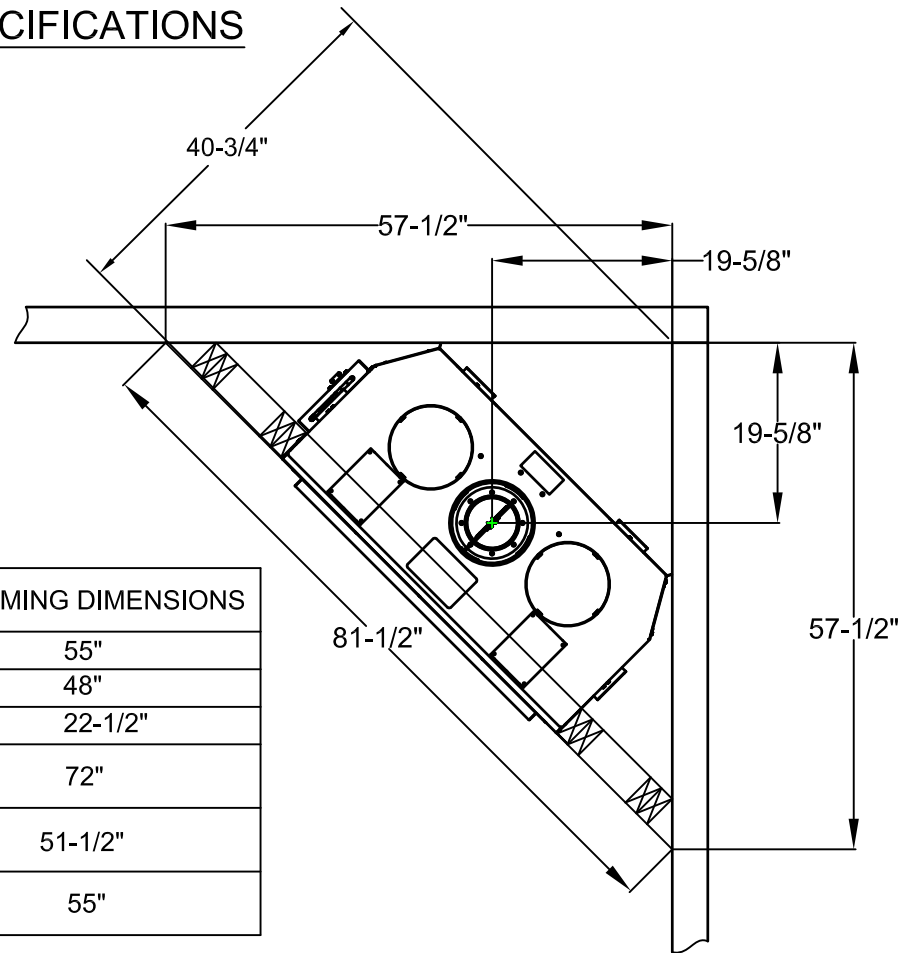


# FV-46 GAS DIRECT VENT FIREPLACE

## GENERAL APPLIANCE SPECIFICATIONS



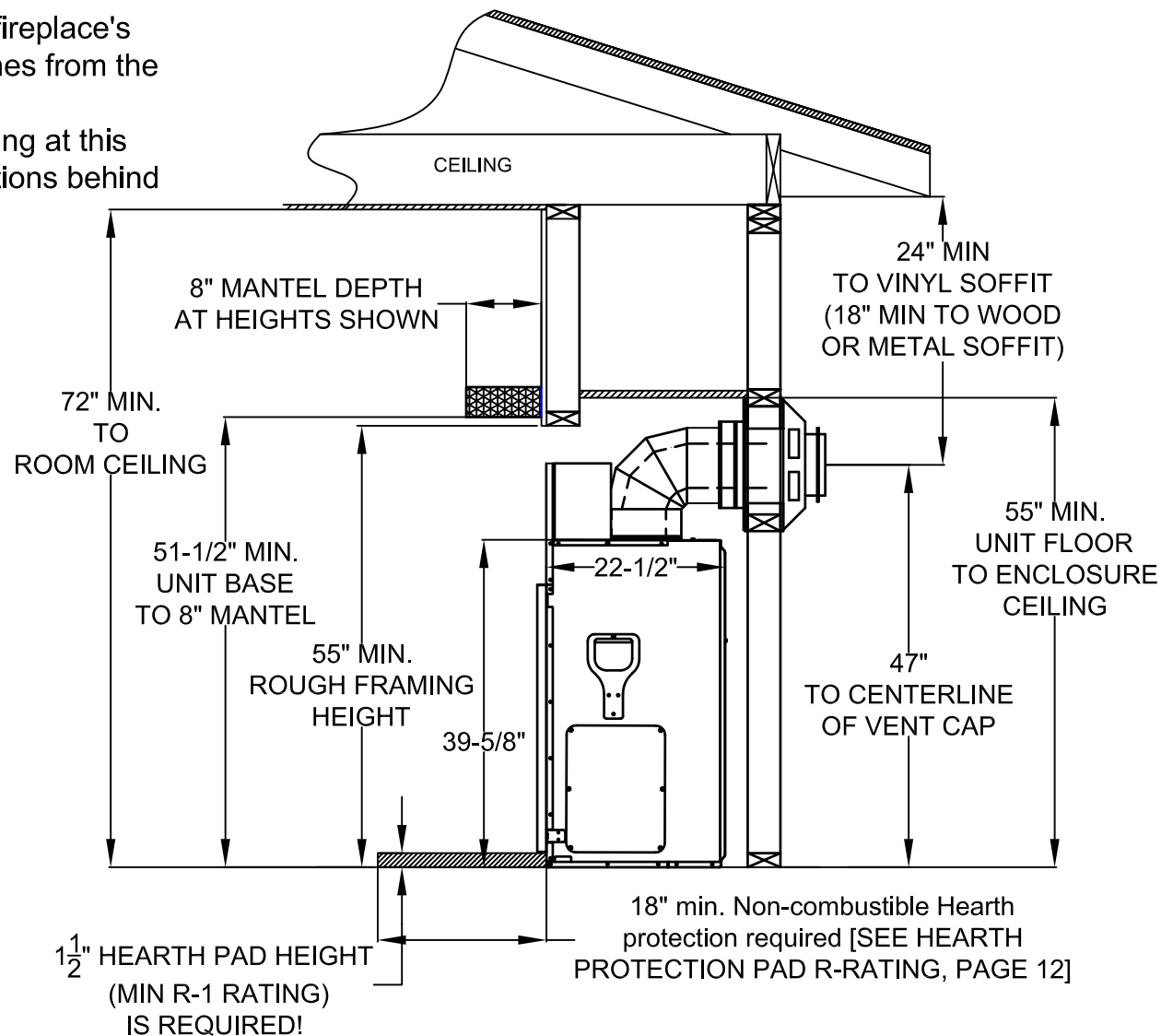
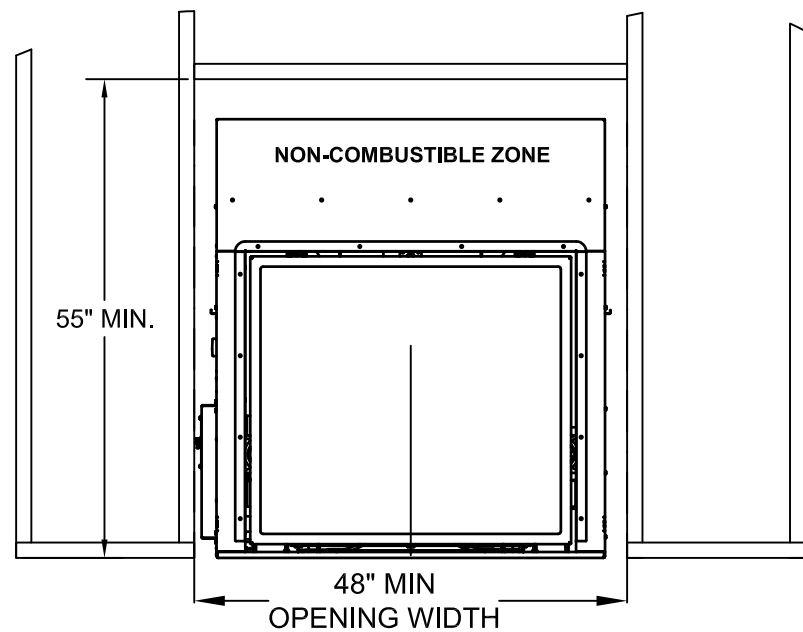
MINIMUM ROUGH FRAMING DIMENSIONS	
HEIGHT	55"
WIDTH	48"
DEPTH	22-1/2"
FROM UNIT BASE TO ROOM CEILING	72"
FROM UNIT BASE TO 8" MANTEL	51-1/2"
FROM UNIT BASE TO UNIT ENCLOSURE CEILING	55"



### ADJACENT WALLS:

A wall perpendicular to and in front of this fireplace's glass door surface must be at least 16 inches from the side edges of the facing guide.

A wall at 45° to the glass surface and starting at this Fireplace's outer edge is permitted. Projections behind this wall (in shaded area) are permitted.



**NOTE:** For every 1" this fireplace is raised off the floor, the non-combustible hearth protection pad may be reduced by 2". If this fireplace is raised off the floor more than 6", No hearth protection pad is required.