

X-62 FlexFire Gas Log Insert

MENIOTA
AMERICA'S LUXURY FIREPLACE

Installation and Operating Instructions

FF 0109



WARNING: If the information in this manual is not followed exactly, a fire or explosion may result causing property damage, personal injury or loss of life.

- Do not store or use gasoline or other flammable vapors and liquids in the vicinity of this or any other appliance.

- WHAT TO DO IF YOU SMELL GAS

- Do not try to light any appliance.
- Do not touch electrical switches; do not use any phone in your building.
- Immediately call your gas supplier from a neighbor's phone. Follow your gas suppliers instructions.
- If you cannot reach your gas supplier, call your local fire department.

- Installation and service must be performed by a qualified installer, service agency or the gas supplier.

AVERTISSEMENT : Assurez-vous de bien suivre les instructions donné dans cette notice pour réduire au minimum le risque d'incendie ou d'explosion ou pour éviter tout dommage matériel, toute blessure ou la mort.

- Ne pas entreposer ni utiliser d'essence ni d'autre vaperurs ou liquides inflammables à proximité de cet appareil ou de tout autre appareil.

- QUE FAIRE SI VOUS SENTEZ UNE ODEUR DE GAZ:

- Ne pas tenter d'allumer d'appareil.
- Ne touchez à aucun interrupteur. Ne pas vous servir des téléphones se trouvant dans le bâtiment où vous vous trouvez.
- Appelez immédiatement votre fournisseur de gaz depuis un voisin. Suivez les instructions du fournisseur.
- Si vous ne pouvez rejoindre le fournisseur de gaz, appelez le service dos incendies.

- L'installation et l'entretein doivent être assurés par un installateur ou un service d'entretein qualifié ou par le fournisseur de gaz.

TABLE OF CONTENTS

REFERENCE DIAGRAMS.....	4
INSTALLATION REQUIREMENTS	5
GAS SUPPLY REQUIREMENTS	6
INSTALLATION INSTRUCTIONS	7
OPERATING INSTRUCTIONS	13
TROUBLESHOOTING	14
MAINTENANCE	15
REPLACEMENT PARTS	16
OPTIONAL BRICK PANEL INSTALLATION INSTRUCTIONS	17
WARRANTY REGISTRATION.....	19
WARRANTY.....	21

SPECIFICATIONS

MODEL X-62

	<u>High Fire</u>	- Adjustable to -	<u>Low Fire</u>	<u>Orifice Size</u>
BTUH INPUT.....	NAT.GAS 61,900		33,600	# 25 Nat.
	L.P. GAS 60,000		47,400	# 43 L.P.
FLUE REQUIREMENTS	6" MIN. DIA. AT 20' MIN. HT. (See page 5)			
SAFETY	AGA Certified Electronic Ignition (activated with remote control)			
COMBUSTIBLE MANTEL CLEARANCE	15" Above Grill, 8" Depth			
GAS SUPPLY PRESSURE	NAT.GAS:	7" W.C. [6.5" W.C. MIN., 10.5" W.C. MAX.]		
	L.P. GAS:	11" W.C. [12.2" W.C. MIN., 13" W.C. MAX.]		
	GAS INLET:	3/8" N.P.T.		

INTERTEK TESTED TO AGA/ANSI STANDARD - Z21.60-2003 & CAN/CGA 2.26-M03, & CGA CR93-0004

This appliance may be used with A.G.A. approved flexible gas lines and shut off valves if permitted by local codes.

The X-62 Gas Log Insert has been tested and certified by:
 Intertek
 8431 Murphy Drive
 Middleton, WI 53562

THE X-62 GAS LOG INSERT COMES STANDARD WITH:

A Variable Ceramic Combustion System; Logs and a Grate; a Variable-speed Automatic Dual Blower System; and a Variable Flame Remote Control.

OPTIONS FOR THE X-62 GAS LOG INSERT INCLUDE:

Faceplates in three sizes (24" x 36", 27" x 40", and 31" X 44"); Firescreen Doors in three styles; Screens in two styles; Brick Panels in three patterns; Facia; and Trim. Many of the options are available in various colors and finishes.

CONGRATULATIONS!

You are the owner of a world-class heat-producing decorative gas log insert.

This elegant, efficient appliance will be a constant source of comfort and fascination. It will be the focal point of beauty and interest in your home. The X-62 Gas Log Insert is a decorative heating appliance incorporating the aesthetics of a traditional fireplace fire.

Carefully read this manual prior to installation. Proper installation and operation of the appliance will give you years of safe, trouble-free comfort and enjoyment.

If you have any questions regarding the installation or operation of your X-62, please contact your local Mendota dealer.

.....CAUTION.....

FOR YOUR SAFETY do not install or operate your X-62 without first reading and understanding this manual. Any deviation in the installation or operation of the appliance from the instructions provided in this manual will void the Warranty and may prove hazardous!

To reduce the hazards associated with high temperatures, the fireplace in which the X-62 is to be installed should be located out of the flow of traffic and away from furniture and draperies. Children and adults should be alerted to the possibility of burns if they come into contact with the appliance. Young children should be supervised carefully when they are in the same room as the X-62.

Clothing, drapery, or other flammable material should not be placed on or near the X-62. Do not store or use gasoline or other flammable vapors and liquids in the vicinity of this or any other appliance.

The X-62 is designed for installation in a vented, non-combustible fireplace that has a working flue. It is not approved for bathrooms, or for any room where sleeping accommodations are provided. Solid fuels must not be burned in any fireplace in which a decorative fireplace is installed. Any fireplace in which an insert is to be installed **MUST** be vented to the outside in accordance with the latest edition of the Natural Fuel Gas Code. Do not connect this appliance to a chimney flue serving a separate solid-fuel-burning appliance.

The X-62 is a decorative gas appliance. It has been designed as a source of supplemental heat only. It should not take the place of, or be used as, a whole-house heating system. Such use may void the warranty.

Installation and repair should be done by a qualified service technician only. The X-62 should be inspected and cleaned at least annually by a qualified service technician. More frequent cleaning may be required due to excessive lint from carpeting, bedding material, etc. It is imperative that control compartments, burners, and air passageways be kept clean. Any panel, screen, or glass removed for servicing the X-62 **MUST** be replaced prior to operating the appliance. Installation and the provisions for combustion and ventilation air must conform to the *National Fuel Gas Code, ANSI Z223.1/NFPA 54, or the CSA B149.1, Natural Gas and Propane Installation Code.*

DO NOT use the X-62 if any part of it has been under water. Immediately call a qualified service technician to inspect the appliance. Any parts of the control system and any of the gas controls that have been under water should be replaced. [N'utilisez pas cet appareil s'il a été plongé dans l'eau, même partiellement. Faites inspecter l'appareil par un technicien qualifié et remplacez toute partie du système de contrôle et toute commande qui ont été plongés dans l'eau.]

DO NOT use this appliance if the burner does not light immediately (see OPERATING INSTRUCTIONS, page 12). If the burner does not light promptly, turn off the appliance and contact your local Mendota dealer.

It is the policy of Johnson Gas Appliance Company that no responsibility is assumed by the Company or by any of its employees or representatives for any damages caused by an inoperable, inadequate, or unsafe condition which is the result, either directly or indirectly, of any improper installation or operation of this appliance.

INSTALLER: THESE INSTRUCTIONS ARE TO REMAIN WITH THE HOMEOWNER.

Reference Diagrams

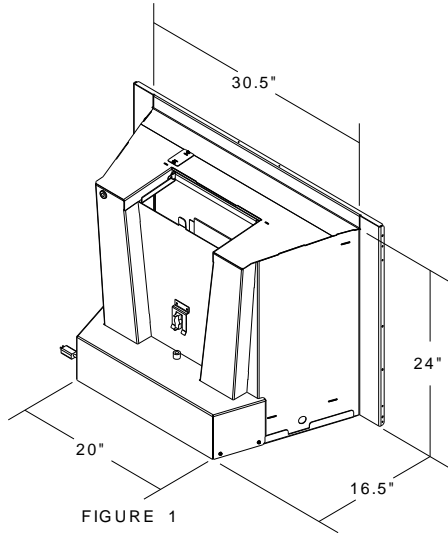


FIGURE 1
CROSSFIRE 60 DIMENSIONS

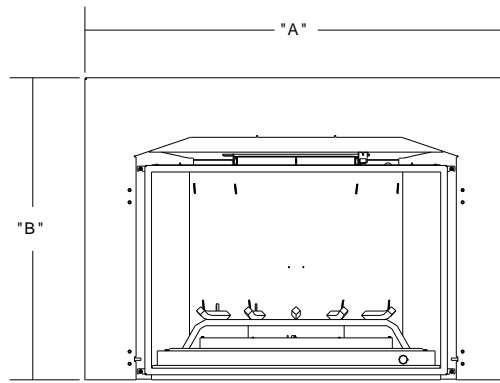


FIGURE 2
FACEPLATE / SURROUND SIZES

FACEPLATE SIZE	A		B	
	INCHES	(MM)	INCHES	(MM)
SMALL	44	(1118)	31	(788)
MEDIUM	48	(1220)	33	(839)
LARGE	52	(1321)	36	(915)

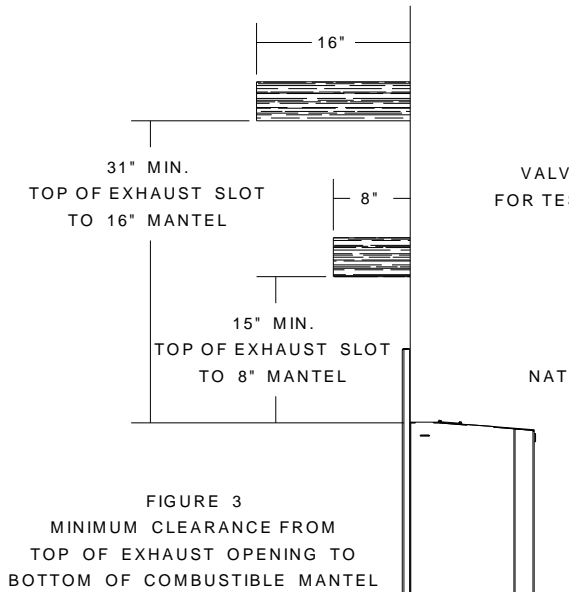


FIGURE 3
MINIMUM CLEARANCE FROM
TOP OF EXHAUST OPENING TO
BOTTOM OF COMBUSTIBLE MANTEL

VALVE PRESSURE TAP FITTING
FOR TESTING MANIFOLD PRESSURE

NAT./L.P. CONVERSION STEM

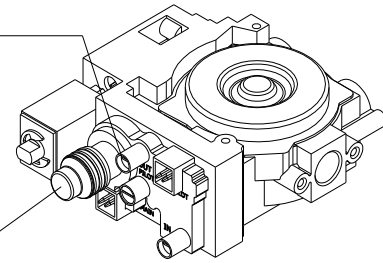
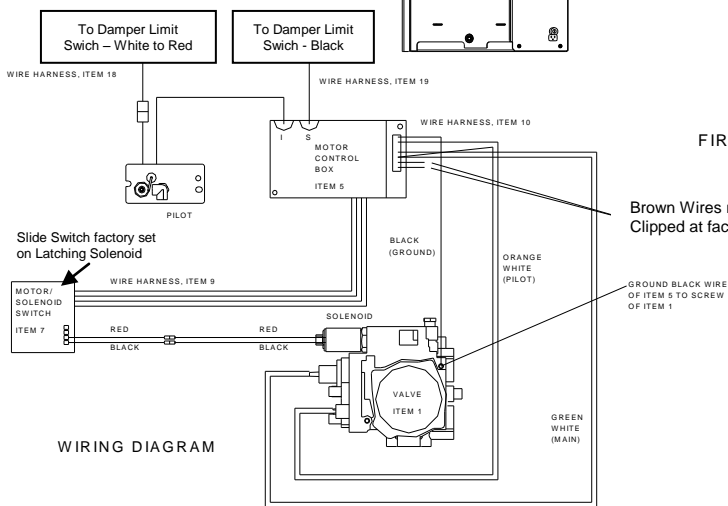


FIGURE 4



WIRING DIAGRAM

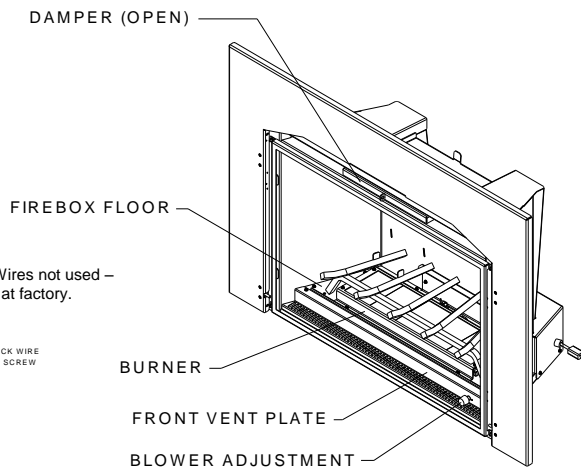


FIGURE 5

INSTALLATION REQUIREMENTS

WARNING: The X-62 Gas Log Insert must be installed in a vented, non-combustible fireplace with a working flue. The fireplace must be approved for burning solid fuel. It cannot be installed in a bathroom, or in any room where sleeping accommodations are provided.

FIREPLACE DIMENSIONS

The X-62 must be installed in a fireplace with dimensions equaling or exceeding each of those listed in the chart below. (See Fig. 1.)

MINIMUM FIREPLACE DIMENSIONS	
<i>DIMENSION</i>	<i>INCHES (MM)</i>
WIDTH	30 ½ (775)
HEIGHT	24 (610)
DEPTH	16 ½ (420)

→ NOTE: A Faceplate/Surround large enough to cover the gap between the X-62 and the existing fireplace also should be purchased. (See Fig. 2.)

CHIMNEY OPENING

The X-62 must be installed in a fireplace with a chimney opening equaling or exceeding the minimum opening listed in the chart below—note that *shorter* chimneys require *larger* openings.

NOTE: *Massachusetts requires that the existing fireplace flue damper must be removed or permanently welded in the "open" position.*

MINIMUM CHIMNEY FLUE OPENING (SQ. IN.)

Round Chimney Area Reference:

6" dia. = 28.7 sq. in.
 7" dia. = 38.5 sq. in.
 8" dia. = 50.3 sq. in.
 10" dia. = 78.5 sq. in.

For Masonry flues, multiply width by depth of flue opening.

Chimney Ht.	Factory Built Fireplaces	Masonry Fireplaces
10 ft.	35.3 sq. in. (7" dia. & above)	41.7 sq. in.
15 ft.	26.4 sq. in. (6" dia. & above)	37.7 sq. in.
20 ft.	22.1 sq. in. (6" dia. & above)	34.3 sq. in.
25 ft.	18.8 sq. in. (6" dia. & above)	32.8 sq. in.
30 ft.	17.3 sq. in. (6" dia. & above)	31.2 sq. in.
35 ft.	15.9 sq. in. (6" dia. & above)	30.0 sq. in.
40 ft.	15.2 sq. in. (6" dia. & above)	30.0 sq. in.

CAUTION: The X-62 should not be installed in any fireplace that is normally subject to severe downdrafts. Downdraft conditions exist if, when starting a wood fire, it is difficult to establish a good upward draw (i.e., smoke and cold air flow into the room rather than up the chimney), or if it is necessary to open a door or window to get an upward flow of air established. For homes with downdraft conditions, we recommend the installation of a "lined" heater-rated fireplace insert (such as the Mendota DV-30 or DV-40). **NOTE:** High winds or severely cold temperatures can cause downdrafts in any fireplace, especially those with large flues. These occasional downdrafts do not preclude the use of a X-62.

→ NOTE: Do not connect the X-62 to a chimney flue serving a second solid-fuel-burning appliance.

→ NOTE: A chimney cap must be used with the X-62 to prevent rain from damaging the appliance.

MANTEL CLEARANCE

Combustible mantels located above the X-62 must conform to the minimum clearance distances listed in the chart below. A mantel that is 8" (203 mm) deep *or less* must be at least 15" (381 mm) above the top of the exhaust opening of the appliance. For mantles deeper than 8" (203 mm), the minimum clearance increases by 2" (51 mm) for every 1" (25 mm) increase in mantle depth. (See Fig. 3.)

MINIMUM MANTEL CLEARANCE										
MANTEL DEPTH	<i>IN</i>	8	9	10	11	12	13	14	15	16
	<i>(MM)</i>	(203)	(229)	(254)	(279)	(305)	(330)	(356)	(381)	(406)
MIN. CLEARANCE	<i>IN</i>	15	17	19	21	23	25	27	29	31
	<i>(MM)</i>	(381)	(432)	(483)	(533)	(584)	(635)	(686)	(737)	(787)

GAS SUPPLY REQUIREMENTS

CORRECT GAS PRESSURE AND PROPER GAS SUPPLY LINE SIZING ARE CRITICAL TO THE SUCCESSFUL PERFORMANCE OF YOUR X-62 GAS LOG INSERT. BE SURE THAT THE GAS SUPPLIER OR PLUMBER CHECKS FOR CORRECT GAS PRESSURE AND GAS LINE SIZING WHEN INSTALLING THE APPLIANCE. GAS SUPPLY PIPING MUST INCLUDE A DRIP LEG TO ELIMINATE THE POSSIBILITY OF CONTAMINANTS ENTERING THE GAS TRAIN. MANY LOCAL CODES ALSO REQUIRE A SHUT OFF VALVE ON THE INCOMING GAS LINE. ADHERE STRICTLY TO LOCAL AND NATIONAL CODES.

IF GAS SUPPLY PRESSURES EXCEED ½ PSIG [3.5KPA], THE APPLIANCE MUST BE ISOLATED FROM ITS SUPPLY WITH AN APPROVED MANUAL SHUT-OFF VALVE. THIS MANUAL SHUT-OFF VALVE MUST BE CLOSED DURING ANY SUPPLY LINE PRESSURE TESTING.

GAS SUPPLY LINE SIZING

The X-62 comes equipped with a 3/8" N.P.T. [1.0 cm] inlet on the main gas valve.

A gas line of sufficient size to deliver 63,000 BTUH to the unit at the normal inlet pressure must be run from the supply regulator to the appliance. Refer to the following table and to local codes to determine the correct pipe diameter.

PIPE LENGTH <i>FEET (Meters)</i>	SCHEDULE 40 PIPE (INSIDE DIA.)		TUBING, TYPE L (OUTSIDE DIA.)	
	NAT. IN (CM)	L.P. IN (CM)	NAT. IN (CM)	L.P. IN (CM)
0 - 10 (0 - 3.1)	1/2 (1.3)	3/8 (1.0)	1/2 (1.3)	3/8 (1.0)
10 - 40 (3.1 - 12.2)	1/2 (1.3)	1/2 (1.3)	5/8 (1.6)	1/2 (1.3)
40 - 100 (12.2 - 30.5)	3/4 (2.0)	1/2 (1.3)	3/4 (2.0)	1/2 (1.3)
100 - 150 (30.5 - 45.7)	3/4 (2.0)	1/2 (1.3)	7/8 (2.3)	5/8 (1.6)
150 - 200 (45.7 - 61.0)	3/4 (2.0)	1/2 (1.3)	7/8 (2.3)	3/4 (2.0)

Some areas allow the use of copper tubing or galvanized pipe. Check with local approval agencies and codes. NEVER use plastic pipe.

GAS PRESSURE REQUIREMENTS

A MAJOR CAUSE OF OPERATING PROBLEMS WITH GAS APPLIANCES IS IMPROPER GAS PRESSURE!

Such problems as changes in flame color or configuration, pilot or burner outages, intermittent operation, changes in heat output, excessive burner noise, etc. can be the result of changes in gas pressure or improper gas pressure at the time of installation. The most important item to check during installation, and the first thing to check when problems occur, is gas pressure!

The natural gas supply normally enters a residence at ½ PSI [13" - 15" W.C.] [3.5 KPA]. A regulator located inside the residence drops this pressure to 7" W.C. [1.8 KPA]. This "inches to inches" regulator is sufficient to service the existing gas appliances (stove, dryer, furnace, etc.). If the capacity of the regulator is not sufficient for the addition of the X-62, a second "inches to inches" regulator must be installed. EXCEPTION: Some codes allow 2 PSI [1.4 KPA] gas supplies to enter the residence, in which case "pounds to inches" regulators are used.

The following table provides information on the requirements for correct gas pressure. Be sure your gas supplier or plumber follows these requirements carefully.

INLET GAS PRESSURE					
	DESIRED PRESSURE	MINIMUM PRESSURE	MAXIMUM PRESSURE	MANIFOLD PRESSURE *	AIR SHUTTER OPENING
NATURAL GAS	7.0" W.C. (1.75 kPa)	6.5" W.C. (1.12 kPa)	10.5" W.C. (2.61 kPa)	3.5" W.C. (0.87 kPa)	1/4 " (6 mm)
L.P. GAS	11.0" W.C. (2.75 kPa)	12.2" W.C. (2.75 kPa)	13.0" W.C. (3.24 kPa)	10.0" W.C. (2.5 kPa)	7/16 " (13 mm)

* A pressure tap fitting is located on the gas valve (see Fig. 4). A qualified installer must measure the manifold pressure at this fitting with the burner operating on its highest setting. Gas pressure may vary by ± 5%.

INSTALLATION INSTRUCTIONS

NOTE: The X-62 Gas Log Insert must be installed only by a qualified technician.

1. Check to be sure that the fireplace into which the X-62 is to be installed meets **ALL** of the installation requirements listed on page 5, that is:
 - a. The fireplace **must** be vented and non-combustible, have a working flue, and be approved for burning solid fuel. It **must not** be located in a bathroom, or in any room where sleeping accommodations are provided.
 - b. The fireplace **must** be at least 30 ½" wide by 24" high by 16 ½" deep.
 - c. The chimney opening of the fireplace **must** equal or exceed the minimum opening for the height of the chimney, as listed in the CHIMNEY OPENING chart on page 5.
 - d. The fireplace **must not** be subject to severe downdrafts during the normal course of its operation.
 - e. The chimney flue **must not** serve a second solid-fuel-burning appliance.
 - f. The chimney of the fireplace **must** be equipped with a chimney cap.
2. Check to see that the gas supply meets ALL of the requirements listed on page 6, that is:
 - a. The gas supply line **must** be of the proper material and **must** be of the proper diameter, as listed in the GAS SUPPLY LINE SIZING chart on page 6. Also, the gas supply line **must** have a drip leg, a shut-off valve (if one is required by local codes **or** if the supply gas pressures exceed ½ PSIG [3.5KPA]), and a regulator of sufficient capacity.
 - b. Flex hose used to connect the appliance **must** have brass-to-brass fittings.
 - c. The gas pressure **must** meet the requirements listed in the INLET GAS PRESSURE chart on page 6.
3. Remove any glass doors, grates, combustible materials, etc. from the existing fireplace.
4. Have the fireplace and venting system cleaned by a certified chimney sweep or qualified service technician.

The damper of the fireplace must be modified to maintain at least the minimum opening required for the height of the chimney, as listed in the CHIMNEY OPENING chart on page 5. It is recommended either to remove the damper completely, or to cut a hole in the damper equal the minimum opening required. A large damper may be permanently fixed open with a screw or bolt in its edge, provided that the opening meets the minimum requirements.

NOTE: *Massachusetts requires that the existing fireplace flue damper must be removed or permanently welded in the "open" position.*

5. Remove the log package, the bag of coals, the grate, the bag containing the remote and batteries, the L.P. conversion kit, the packing material, and any other loose items in the firebox. Set the X-62 in front of the fireplace.
6. Take out the front vent plate by removing the 2 screws that hold it to the firebox floor (see Fig. 6). Plug the receiver wire into the receiver (see Fig. 7, page 8).



Figure 6



Figure 7

IF THE X-62 IS TO BE OPERATED ON NATURAL GAS, PROCEED TO STEP #8.

7. The X-62 can operate on either Natural Gas or L.P. Gas. It arrives from the factory set up for operation on Natural Gas. If the appliance is to be operated on L.P. Gas, a qualified technician must convert the gas valve and the pilot from Natural Gas to L.P. Gas, and install all of the components in the L.P. Conversion Kit that is provided with the appliance. To convert the appliance to L.P. Gas (see Fig.5):
 - a. Take out the burner: Remove the 4 screws that hold the burner to the firebox floor (see Fig.5, page 4). Slide the burner to the left to disengage its inlet tube from the shutter box. Lift the burner up.
 - b. Take out the firebox floor by removing the 6 screws that hold it to the firebox (see Fig 5, page 4).
 - c. Unscrew and remove the Natural Gas orifice that was shipped with the X-62 (see Fig.4, page 4). Save the orifice removed from the appliance for future use. [Conservez les injecteurs retirés de l'appareil pour utilisation future.]
 - d. Screw the L.P. orifice (which is part of the L.P. Conversion Kit) over the fitting on the gas valve.
 - e. To convert the valve to L.P. Gas, remove the rubber cap that covers the valve conversion stem. Depress the stem and rotate it clockwise until it locks in place in the depressed position. Replace the rubber cap. (See Fig.4, page 4.)
 - f. To convert the pilot to L.P. Gas, loosen the ½" hex fitting under the pilot hood, slide the quick adjust lever forward (the lever is just below the hex fitting), and tighten the hex fitting (see Fig. 8).
 - g. Reinstall the firebox floor, the front vent plate, and the burner, in that order. To reinstall the burner, set it in place in the left side of the opening in the firebox floor (the opening of the burner inlet tube should be pointing to the right. Slide the burner to the left until the inlet tube engages with the shutter box and the screw holes line up. Screw the burner in place.



Figure 8

To convert the X-62 back to natural gas, replace the L.P. orifice with the Natural Gas orifice according to the instructions above. Also convert the gas valve and the pilot back to natural gas. Remove the rubber cap that covers the valve conversion stem. Push in on the stem and rotate it counterclockwise until it pops out to its full extension. Replace the rubber cap. To convert the pilot, loosen the ½" hex fitting under the pilot hood, slide the quick adjust lever backward (the lever is just below the hex fitting), and tighten the hex fitting.

8. Connect the 3/8" npt flex connector (with shut-off valve) of the X-62 to the gas supply line. Take care not to damage or kink the flex connector.
9. Check the connections for leaks. Use a solution of soap and water, and check for bubbling. **IT IS CRITICAL TO CHECK CAREFULLY FOR LEAKS!**
10. Make sure all gas supply shut-off valves are open. Bleed air from supply lines. Light the X-62, and adjust the burner to its highest setting (see OPERATING INSTRUCTIONS, page 12). Check the manifold pressure at the pressure tap fitting on the gas valve (see Fig. 4, page 4). Manifold pressure **must** meet the requirements listed in the INLET GAS PRESSURE chart on page 6 (gas pressure may vary by $\pm 5\%$).
11. Cycle the burner on and off several times to make certain that it lights promptly, and that flames cover all parts of the burner pan. **NOTE:** Never turn the burner on or off quickly—always allow the X-62 to burn at least 60 seconds before turning it off, and to rest at least 60 seconds before turning it on.
12. Plug the power cord for the blower into a grounded 115-volt outlet. The outlet must be electrically grounded in accordance with local codes, or in the absence of local codes, with the National Electric Code ANSI/NFPA 70-1987. **NOTE:** The blower for the X-62 is equipped with an 8-ft power cord. If an electrical outlet has not been wired into the existing fireplace, check to be sure that an outlet is located within reach of the power cord when the appliance is in its installed position. Extension cords are **not** allowed.
13. Slide the X-62 into the fireplace, and check to see that it is level and plumb with the fireplace opening. If not, the appliance should be squared to the opening by placing metal shims, metal washers, brick, or other non-combustible materials beneath it.

IF YOU PURCHASED AN OPTIONAL BRICK KIT FOR YOUR X-62, INSTALL IT NOW ACCORDING TO THE INSTRUCTIONS THAT ACCOMPANY THE KIT. THEN PROCEED TO STEP 14.

14. Open the bag of coals. Spread the coals on top of the burner to produce a glowing ember effect, and also around the base of the burner to conceal it (see Fig. 6). **DO NOT** spread any coals over the slots at the front of the appliance, as these may inhibit airflow. **NOTE:** Use only the larger chunks of coals—**DO NOT** use any tiny fragments or coal dust, as these might clog the burner.

Positioning of the coals on the burner has a major impact on the appearance of the flame and the glow.
More coals = more glow but less flame. Fewer coals = more flame but less glow.

15. Set the grate in place over the burner (see Fig. 9, page 10). The grate should be centered left to right in the firebox. The tines at the back of the grate should rest on the ledge in the back of the firebox. Slide the grate as far back in the firebox as it will go.
16. Carefully open the log package, and remove the logs. Position the logs on the grate as shown in Fig. 9 (page 10). The grate and the log pile should be centered in the firebox. **CAUTION: DO NOT** position the logs so that they obstruct the pilot flame—any obstruction of the pilot flame may inhibit the prompt, safe lighting of the burner.

NOTE: The logs will produce a strong, acrid odor on initial contact with the flames. This is completely normal. The odor will dissipate after about an hour of operation.

17. Cycle the burner on and off several times to make certain that it lights promptly, and that flames are distributed throughout the log pile. If there is any delay in lighting, it is necessary to check for the correct positioning of logs and coals—**logs and coals must not obstruct the pilot flame.** **NOTE:** Never turn the burner on or off quickly—always allow the X-62 to burn at least 60 seconds before turning it off, and to rest at least 60 seconds before turning it on.
18. Take out the front vent plate by removing the 2 screws that hold it to the firebox floor (see Fig.6, page 7). Loosen the nut that holds the air shutter in place (see Fig.10, page 10). Light the burner, and allow the X-62 to burn for 2-3 hours. At this point, small additional adjustments may need to be made to the air shutter to improve the appearance of the flame.



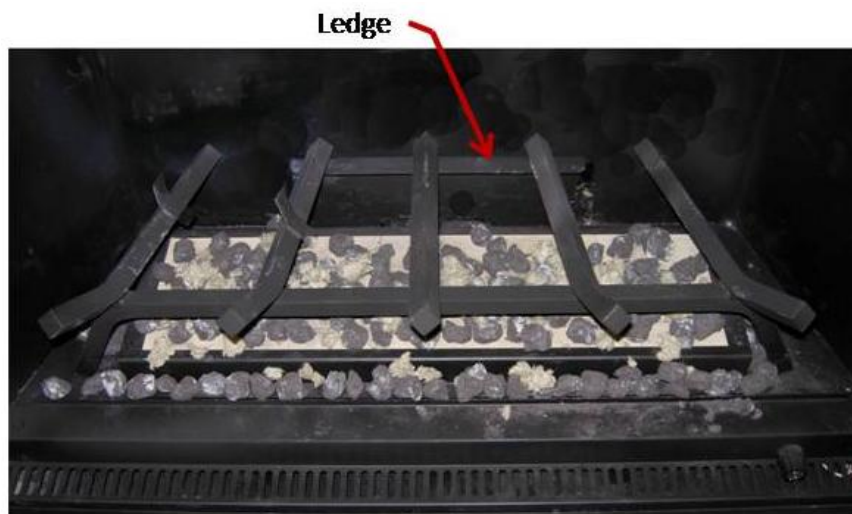
Figure 10

NOTE: Very small changes in air shutter position make major changes in the appearance of the flame.

- a. If the flame is too blue, push the air shutter **away from** you in small increments (about 1/16") until the appearance of the flame improves. Tighten the nut of the air shutter. Replace the front vent plate, and screw it to the firebox floor.
 - b. If the flame is too orange, or if sooting occurs, pull the air shutter **toward** you in small increments (about 1/16") until the appearance of the flame improves. Tighten the nut of the air shutter. Replace the front vent plate, and screw it to the firebox floor. **NOTE:** If sooting persists, turn off the appliance, and call your Mendota dealer.
19. Install the Faceplate / Surround, Screen, and other facings and trims according to the instructions included with them.

Figure 9

WARNING: Failure to position the logs in accordance with Fig.8 or failure to use only parts specifically approved with this appliance may result in property damage or personal injury.

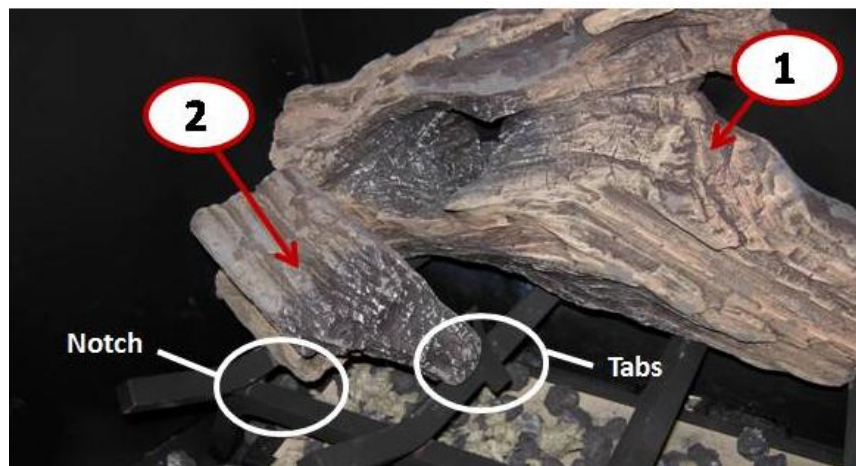


Place the grate above the burner and coals by resting the three center bars on the ledge located on the rear wall of the firebox. Center the grate left to right over the burner.

Figure 9 (continued)



Place rear log #1 on the grate with its left end against the left firebox wall (or against the optional firebrick panel, if used). The right end should rest on top of the grate bar, as shown. Make sure that the log is tight against the back of the firebox.

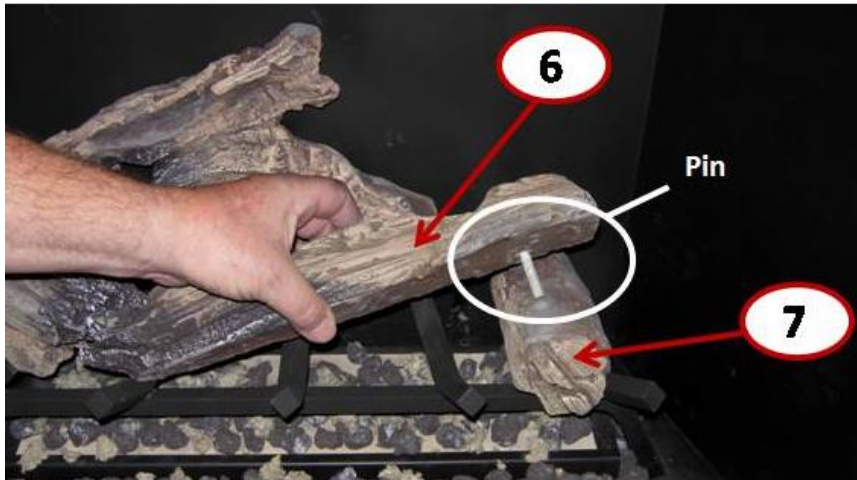


Place the notch on log # 2 over the left grate bar. Slide log # 2 back against the tabs that are located on the top of the grate bars.

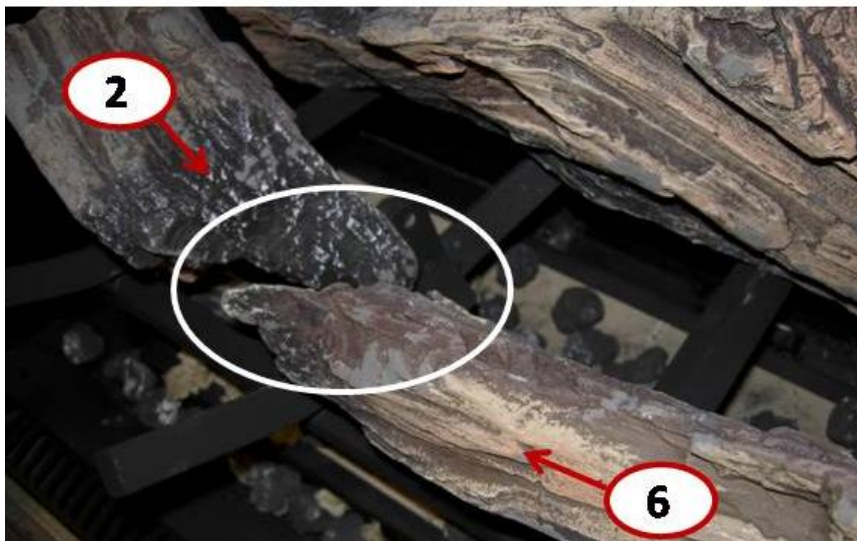


Place log # 7 against the right grate bar, with its front resting on the grate cross bar. Position the log so that the locating pin hole faces up.

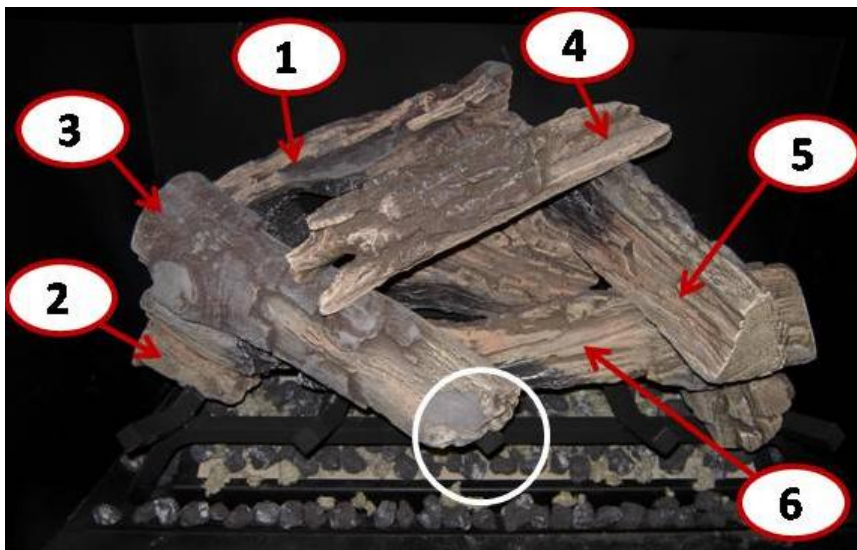
Figure 9 (continued)



Insert the pin of log # 6 into the locating hole of log # 7.



Position pinned log # 6 so that its left end is in contact with the right end of log # 2.



Log # 3 rests on log #2, with its right end against the grate bar, as shown in the circled area. Log # 5 rests in the notches on the tops of logs # 6 and # 1. Log # 4 lays across logs # 5 and # 3.

OPERATING INSTRUCTIONS

LIGHTING

1. Grab the damper of the X-62 with the damper hook. Pull the damper forward until it slides over the latch at the front of the unit (see Fig. 11). **NOTE:** The appliance will not light unless the damper is pulled all the way forward—the pilot will spark for 60 seconds and then will shut off.



FIGURE 11

2. Press the “ON” button of the remote. **DO NOT** tap and release the button quickly, but hold it down firmly until the X-62 lights. The appliance should light almost immediately, and the button can be released.

NOTE: Never turn the burner on or off quickly—always allow the X-62 to burn at least 60 seconds before turning it off, and to rest at least 60 seconds before turning it on.

CAUTION: THE BURNER SHOULD LIGHT ALMOST IMMEDIATELY AFTER PRESSING THE “ON” BUTTON OF THE REMOTE CONTROL. IF THE BURNER DOES NOT LIGHT PROMPTLY, IMMEDIATELY RELEASE THE BUTTON. WAIT AT LEAST 60 SECONDS, AND TRY AGAIN. IF THE BURNER DOES NOT LIGHT PROMPTLY AFTER THE SECOND TRY, REPLACE THE BATTERIES IN THE REMOTE, AND TRY ONCE MORE. IF THE BURNER STILL FAILS TO LIGHT PROMPTLY, CALL YOUR LOCAL MENDOTA DEALER.

OPERATION

The X-62 will burn continuously until it is turned off. Press the “HI” button on the remote to operate the appliance with maximum flame and heat. Press the “LOW” button on the remote to operate the appliance with minimum flame and heat.

BLOWER OPERATION

To increase its heating capacity, the X-62 is equipped with a dual blower system. To increase the heating capacity. Provided that the rheostat is turned “ON”, the blower operates automatically when the appliance is burning. **NOTE:** After the appliance is turned on, it must heat up for approximately 15 minutes before the blower comes on. Similarly, after the appliance is turned off, the blower will run for a cool-down period lasting approximately 10 minutes. These times could be longer if the optional firebrick was installed.

The blower speed can be adjusted high/low or on/off as desired (see Fig. 5). First remove the firescreen. To turn the blower on, turn the rheostat knob clockwise until it clicks. The speed of the blower can be adjusted higher (by turning the rheostat knob clockwise) or lower (by turning the rheostat knob counterclockwise). To turn the blower off, turn the rheostat knob counterclockwise until it clicks. **NOTE:** It is not necessary to turn the blower off manually when the fireplace is turned off; the blower will shut off automatically after about 10 minutes. Replace the firescreen after adjusting the blower.

HEATING PERFORMANCE

→ NOTE: The X-62 is a decorative gas appliance. It has been designed as a source of supplemental heat only. It should not take the place of, or be used as, a whole-house heating system. NEVER overfire by increasing the BTUH above the nameplate specifications.

To maximize heat circulation, provide the appliance with good air movement by using ceiling fans, through-the-wall grills, floor grills, or the blowers of your central heating and cooling system.

The best means of heat distribution is a ceiling fan. We recommend the use of a ceiling fan for anyone who wishes to utilize the heat of the X-62 most efficiently. CAUTION: Make sure that the ceiling fan does not blow air directly onto the flames. Disturbing the flames can lead to sooting.

In warm weather, or whenever a log fire is desired but warmth is not, the flame of the X-62 can be reduced to approximately 33,600 BTUH by pressing the “LOW” button on the remote (to turn down the flame), and by turning the rheostat knob on the front of the unit counterclockwise to the “OFF” position (to turn off the blower).

SHUT DOWN PROCEDURE

Press the “OFF” button on the remote control, and hold it briefly until the flame shuts off. If the blower was turned on, it will remain running for a 5-minute cool-down period, and then will shut off automatically. Grab the damper with the damper hook. (See Fig.7.) Lift the damper up off the latch at the front of the unit, and slide the damper back into the unit as far as it will go. NOTE: The damper may be left in the open position unless cold downdrafts are a problem, in which case the damper should be closed.

TROUBLESHOOTING THE X-62 GAS LOG INSERT

SYMPTOM	PROBABLE CAUSES	CORRECTIVE ACTION
1. The appliance fails to light.	<p>A. The remote is too far from the receiver.</p> <p>B. The gas supply is turned off.</p> <p>C. The batteries in the remote and/or receiver need replacing.</p> <p>D. The remote needs to be synchronized with the receiver.</p> <p>E. The pilot assembly is dirty.</p> <p>F. Any other cause.</p>	<p>A. Make certain that the remote is within the 20-foot operational range.</p> <p>B. Turn on the gas supply to the appliance.</p> <p>C. Replace the batteries in the remote and/or receiver. To change the batteries in the receiver, take off the front vent plate by removing the 2 screws that hold it to the firebox floor. Pull the battery box, which is held down by Velcro, out of the unit (see Fig.12). Slide the cover open, and replace the batteries—make certain that they are installed in the proper direction. Close the cover, stick the receiver to the Velcro pad, and replace the front vent plate.</p> <p>D. Take off the front vent plate by removing the 2 screws that hold it to the firebox floor. Using a small screwdriver or other pointed device, press the button on the receiver and HOLD IT IN (see Fig. 13). Press the ON button of the remote—the pilot will spark when the remote is synchronized. Replace the front vent plate.</p> <p>E. Clean the pilot assembly with compressed air, available at most electronics stores, to remove any dust or debris that has clogged the pilot opening.</p> <p>F. Call your Mendota dealer.</p>
2. A thin black coating of soot forms on the firescreen.	<p>A. Incorrect gas pressure.</p> <p>B. Not enough combustion air.</p>	<p>A. Have your gas supplier check for the correct gas pressure [7" W.C. Nat.Gas; 11" W.C. LP Gas].</p> <p>B. Open the air shutter on the burner [see "INSTALLATION INSTRUCTIONS" step 18 b]. If sooting still continues, turn off the unit and call your Mendota dealer.</p>
3. Humming or whistling comes from the appliance.	<p>A. Normal operating noise.</p>	<p>A. Some noise is normal. It is caused by the gas supply flowing through the gas orifice, and is to be expected from any gas fireplace. The noise can be reduced operating the appliance on its “LOW” setting, though this will reduce the amount of flames and therefore the heat output.</p>

<p>4. The appearance of the flame or the operation of the burner changes.</p>	<p>A. A change in gas pressure.</p> <p>B. The burner, pilot, air shutter, and logs need cleaning.</p>	<p>A. Have your gas supplier check for the correct gas pressure [7" W.C. Nat.Gas; 11" W.C. LP Gas]. If the flame still is not right, adjust the air shutter on the burner [see "INSTALLATION INSTRUCTIONS" step 18 b].</p> <p>B. Clean out carbon, dust, spider webs, lint, pet hair, etc. from these areas.</p>
---	---	--



FIGURE 12



FIGURE 13

MAINTENANCE

MAINTENANCE OF THE X-62 GAS LOG INSERT IS REQUIRED ANNUALLY.

We recommend that the following procedures be performed every year by your Mendota dealer:

1. **Inspect and clean the control valve and burner:** Check the condition of the wiring for melting or damage from rodents. Clean all foreign matter from around the control valve and the air shutter on the venturi. Use a brush or wire to clean the inlet of the venturi. Clean foreign matter and carbon deposits from the burner pan and burner tiles. Check to see that the burner tiles are still porous.
2. **Inspect and clean the pilot:** Clean away any carbon deposits. Check the appearance of the pilot flame.
3. **Inspect the gaskets:** All gaskets must be tight. Replace them, if necessary.
4. **Inspect the exhaust opening and the front vent plate:** Make sure both areas are free from foreign matter and other obstructions. Never block these openings.
5. **Check the operation of the system:** Cycle the burner on and off according to the procedure listed in INSTALLATION INSTRUCTION step 17. Reposition the logs and the coals, if necessary.
6. **Inspect the chimney:** Check that chimney flue and outlet are open and free of blockage.

In addition, the homeowner periodically should dust the firescreen. The glass of any accessories may be cleaned with standard glass cleaner, as needed.

REPLACEMENT PARTS

X-62 GAS LOG INSERT

WARNING: Use only authorized parts and materials obtained from Johnson Gas Appliance when replacing any defective or damaged parts. **DO NOT** substitute parts and materials obtained from other manufacturers.

PART NUMBER	ITEM
35-01-00486	LOG SET
35-01-00240	COALS
HA-74-00028	VALVE ASSEMBLY
05-02-00331	VALVE
05-02-00330	VALVE SOLENOID
HA-74-00003	BURNER ASSEMBLY
05-04-00045	PILOT ASSEMBLY
65-14-00025	NATURAL GAS ORIFICE (# 25)
65-14-00043	L.P. GAS ORIFICE (# 43)
15-02-00068	BLOWER ASSEMBLY
10-01-00047	RHEOSTAT KNOB
HA-74-00053	DAMPER SWITCH ASSEMBLY
65-06-01183	REMOTE CONTROL
HA-74-00042	BRICK CLIP (optional)
AA-11-00927	CLINKER STYLE BRICK KIT (optional)
AA-11-00944	RAPIDS ROCK STYLE BRICK KIT (optional)
AA-11-00945	FIRED BRICK STYLE BRICK KIT (optional)

OPTIONAL BRICK PANEL INSTALLATION INSTRUCTIONS

for use with
Mendota X-62 Gas Log Insert

PARTS LIST

ITEM	QTY	DESCRIPTION
1	1	REAR BRICK PANEL (Optional — Shipped separately)
2	1	LEFT BRICK PANEL (Optional — Shipped separately)
3	1	RIGHT BRICK PANEL (Optional — Shipped separately)
4	2	BRICK CLIPS (Shipped with the X-62)
5	4	#8 x 1/2" HEX HEAD SLOTTED MACHINE SCREW (Shipped with the X-62)

NOTE: Brick panels are optional with the X-62 and must be ordered separately.

CAUTION: The brick panels are fragile. Handle them with care.

Installation Instructions

1. Remove the fire screen of the X-62 Gas Log Insert. See the Owner's Manual for instructions. Also remove the grate and the logs, if they were installed previously.
2. Remove the four screws (ITEM 5) that are located in the top of the firebox of the X-62. Set them aside for later. See FIGURE 1.
3. Carefully unwrap the brick panels. Set the rear brick panel (ITEM 1) in place in the back of the firebox — the cutout in the bottom center of the panel must straddle the ledge in the back of the firebox, and the brick pattern must face forward. **NOTE:** The rear brick panel is held in place by the left and right brick panels. **DO NOT** let the rear panel fall forward before the side panels are installed, or the rear panel might be damaged. See FIGURE 2.
4. Set the left brick panel (ITEM 2) in place against the left side of the firebox — the rounded edge of the panel must face forward, and the brick pattern must face outward. **CAUTION:** The panel fits tightly in the side of the firebox — work it in very carefully, or the panel might be damaged (take special care of the upper outside corner). To secure the panel in place, screw one of the brick clips (ITEM 4) to the top of the firebox using two of the screws removed in step 2. See FIGURE 2.
5. Set the right brick panel (ITEM 3) in place against the right side of the firebox. Follow the instructions given in step 4 above.
6. Replace the grate, the logs, and the fire screen. See the Owner's Manual for instructions. **DO NOT** operate the X-62 without the fire screen in place.

FIGURE 1

LOOKING UP INTO THE FIREBOX

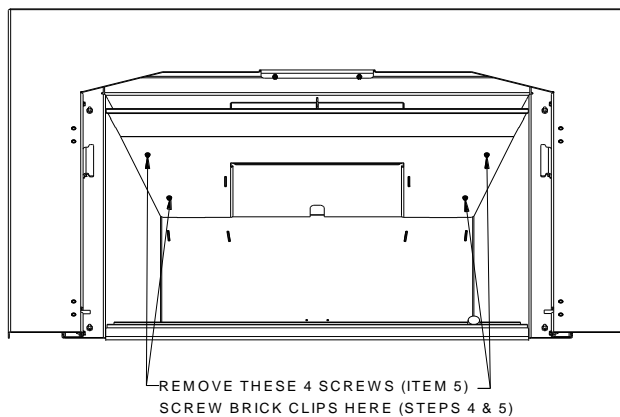
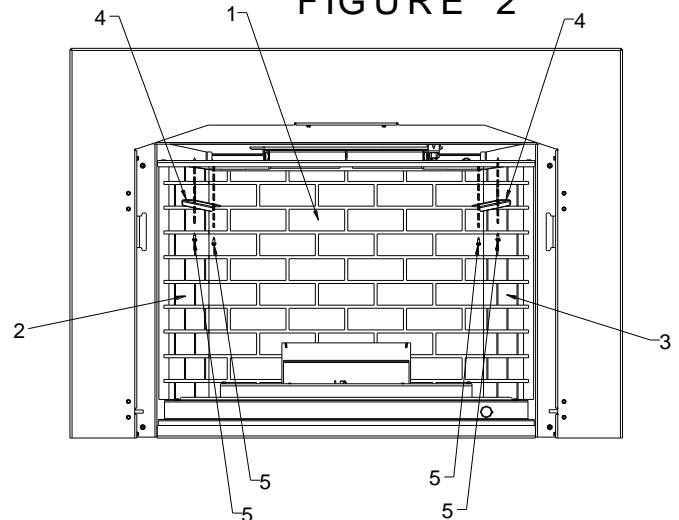


FIGURE 2



NOTES:

MENDOTA WARRANTY QUALIFICATION & SERVICE REFERENCE FORM

As a part of Mendota's on-going program of customer satisfaction, this Form is used to verify proper installation and operation. It is important as a reference for future service, it insures long life and trouble-free operation of the Mendota product, and it qualifies the owner for Mendota's warranty. The owner should sign this Form when it is completed, and mail a copy, along with the Warranty Registration, to Mendota.

MODEL X-62 GAS LOG INSERT

HOME OWNER: _____ DEALER: _____
ADDRESS: _____ ADDRESS: _____
CITY/STATE/ZIP: _____ CITY/STATE/ZIP: _____
SIGNATURE: _____ PHONE: _____
SERIAL #: _____ DATE INSTALLED: _____

REF: X-62 INSTALLATION MANUAL

- THE EXISTING FIREPLACE & CHIMNEY MEET ALL OF THE REQUIREMENTS (see page 5).
- THE GAS SUPPLY MEETS ALL OF THE REQUIREMENTS (see page 6).
- MODIFY OR REMOVE THE DAMPER TO ATTAIN THE MINIMUM OPENING (see page 7).
- CONNECT THE APPLIANCE TO THE GAS LINE & CHECK FOR GAS LEAKS (see page 7).
- CHECK FOR THE CORRECT GAS PRESSURE AT THE MANIFOLD (see page 7).
 - a. 3.5 Inches Water Column Maximum — Natural Gas
 - b. 11 Inches Water Column Maximum — L.P. Gas
- INSTALL LOGS AND COALS, AND ADJUST THE FLAME (see page 8).
- CYCLE BURNER ON & OFF TO DETERMINE THAT IT LIGHTS IMMEDIATELY (see page 8).
- FINAL ADJUSTMENT OF FLAME WITH THE AIR SHUTTER (see page 8).
- BRIEF THE OWNER ON OPERATING & MAINTAINING THE APPLIANCE (see pages 9 & 10).
 - Lighting, High/Low, Shut down
 - Burner operation (& blower delays)
 - Maintenance

OWNER'S SIGNATURE: _____ DATE _____

Cutout this entire page and mail to:

Johnson Gas Appliance Co.
520 E Avenue N.W.
Cedar Rapids, IA 52405-9904

Or register online at:

WWW.JOHNSONGAS.COM

Mendota Limited Lifetime Warranty

MODEL: X-62 NAT. & L.P. Mendota Division of Johnson Gas Appliance Company, 520 E Avenue N.W. Cedar Rapids, Iowa 52405, extends this Extended Lifetime Protection and Limited Warranty to the original purchaser of a Mendota Gas Fireplace Insert, Serial Number __, which is limited and used under normal home conditions.

STANDARD WARRANTY:

JOHNSON GAS APPLIANCE CO., MENDOTA DIVISION, WARRANTS THAT YOUR NEW MENDOTA GAS FIREPLACE INSERT IS FREE FROM MANUFACTURING AND MATERIAL DEFECTS FOR A PERIOD OF ONE YEAR FROM THE DATE OF INSTALLATION, SUBJECT TO THE FOLLOWING CONDITIONS AND LIMITATIONS:

FIVE-YEAR WARRANTY:

THE HEAT EXCHANGER AND THE COMBUSTION CHAMBER OF THE MENDOTA GAS FIREPLACE INSERT ARE WARRANTED FOR FIVE YEARS FOR THE ORIGINAL OWNER.

TWO-YEAR WARRANTY:

THE BURNERS OF THE MENDOTA GAS FIREPLACE INSERT ARE WARRANTED FOR TWO YEARS FOR THE ORIGINAL OWNER.

Note: Hairline cracks in the ceramic burners are normal and not under warranty.

ALL WARRANTIES ARE SUBJECT TO PROOF OF PURCHASE AND THE FOLLOWING CONDITIONS AND LIMITATIONS:

1) This new Mendota Fireplace Insert must be installed and serviced by a competent, authorized service contractor. It must be installed and operated at all times in accordance with the installation and operating instructions furnished with the Fireplace. All adjustments to logs, coals or burner must be made by an authorized Mendota Service person.

This limited warranty does not cover the cost of service calls, the cost of labor to remove or install parts covered by this limited warranty, freight or other transportation expenses that may be incurred in connection with obtaining performances under this limited warranty. The remedy for damages as the result of any defects in this product which have been warranted herein is limited to replacement parts and does not include any incidental, indirect or consequential damages or expenses sustained in connection with the products, including damages to property, except as provided by law.

2) This warranty is non-transferable and is made to the original retail purchaser, provided the purchase was made through an authorized Mendota dealer.

Mendota is not responsible for any damage to or malfunction of the Insert unless caused by a defect in material or workmanship from normal home use. Damage caused by abuse, improper installation or operation, installation by unqualified personnel or breach of the conditions of this limited warranty will excuse Mendota from performance of any part of the limited warranty. This warranty does not cover glass or log breakage. **Cracks in the burner ceramic plaques is normal and not covered under warranty, unless pieces of the ceramic are missing.**

Mendota has the right to investigate and inspect the exact original fireplace and materials, in the event a claim is made (without alterations or tampering), to determine whether the claimed damage or malfunction was caused by abuse, improper installation or other cause outside this warranty. Mendota is not responsible for any repairs or material purchases that have not received prior written approval from Mendota.

NOTE: Minor warping of certain parts or discoloration is normal and is not a defect covered by this limited warranty. Over-firing of your Mendota Fireplace Insert can cause major warping of parts. Over-firing above rated nameplate specifications is contrary to the manufacturer's instructions and WILL void this warranty.

This warranty may not be extended by our representatives in any manner. The company neither assumes, nor authorizes any third party to assume, on its behalf, any other liabilities with respect to the sale of this Mendota product.

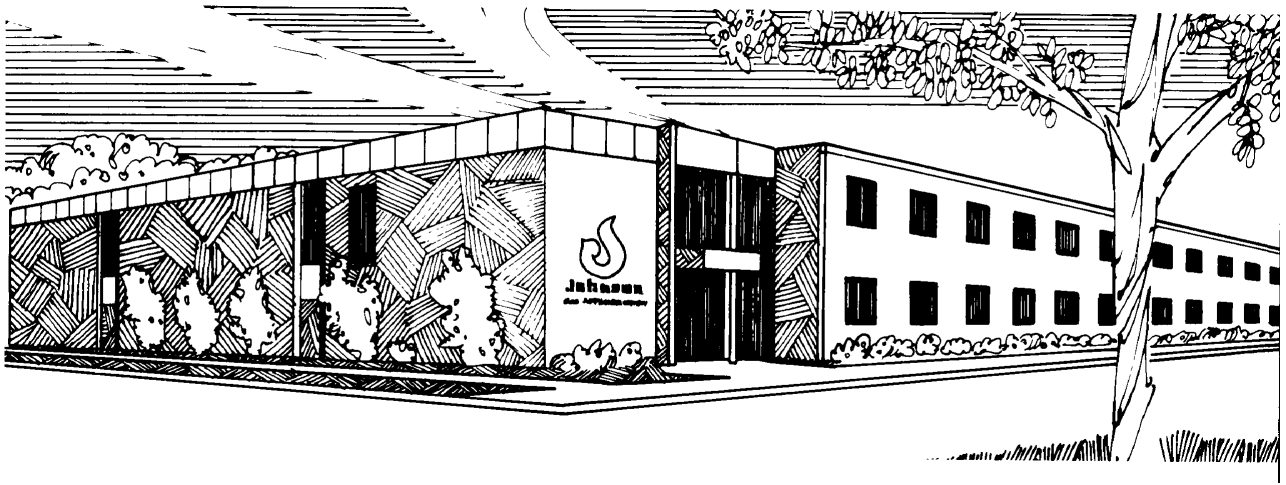
3) Mendota may at its discretion, fully discharge all obligations of this warranty by refunding the wholesale price of the defective part(s).

4) All other warranties - expressed or implied - with respect to the product, its components and accessories, or any obligation/liabilities on the part of the company are hereby expressly excluded. Products made by other manufacturers, sold with the Fireplace or thereafter, are not covered by this limited warranty. The use of unauthorized components will make this warranty null and void.

This warranty shall be effective only if the original purchaser of the Mendota appliance is registered with Mendota Division within thirty (30) days of the date of purchase. Such registration or the failure to register shall not be deemed to create any obligation or liability by the manufacturer and this warranty with its conditions and limitations shall be the only procedure for obtaining any rights against the manufacturer and expresses the sole obligation and responsibilities of the manufacturer which are offered to the original purchaser and accepted upon purchase of the appliance.

Mendota Division, reserves the right to make changes at any time without notice, in design, material, specifications, prices and the right to discontinue styles and products.

Some states do not allow the exclusions of limitation of incidental or consequential damages or limitations on how long an implied warranty lasts, so the above limitation or exclusion may not apply to you. This warranty gives you specific legal rights and you may also have other rights, which vary from state to state.



Johnson Gas Appliance Company
520 E Avenue N.W. - Cedar Rapids, IA 52405
Mendota Hearth Division

85-03-00738-C