

INSTALLATION AND OPERATION INSTRUCTIONS

Versiheat Forced Air Heat Transfer System



APPROVALS

The Versiheat air duct kit is approved for use on Models DXV-60, 45, 42, 35, M-50, FV41 and FV46 gas fireplaces under the remote duct sections of ANSI Z.21.88-1988 • CSA 2.33 - M98.

INTRODUCTION

The Versiheat accessory kit transfers warm air from the fireplace through air ducts(s) to remote locations in the same room or other rooms of the building. See Figure 1. One or two Versiheat kits can be installed on the fireplace. A wall mount thermostat is provided (**but can only be used on Standing Pilot System Equipped Models and PF1 control equipped models**) to turn on the fireplace from the room in which heat is desired. The remote blower operation can be controlled by a heat sensor snapdisc (**except on M-50, FV41, FV41-M and FV46 Models**) that is provided with this kit and must be installed in the fireplace.

NOTE: On the M-50, FV41, FV41-M and FV46 Model, the supplied snapdisc thermostat cannot be used. Discard the snapdisc supplied with this Versiheat kit for M-50, FV41, FV41-M and FV46. Only manual control of the Versiheat blowers, using the supplied Rheostat, is allowed.

NOTE: The thermostat supplied **CANNOT** be used on any PF2 control equipped models (DXV35DT3LX, DXV45DT3LX, FV41, FV41-M or FV46).

PRELIMINARY PREPARATION

1. Contents of kit:

- 25-ft. length of 6" diameter round duct
- Blower housing assembly
- Millivolt Thermostat (not available for PF2 control equipped models DXV35DT3LX, DXV45DT3LX, FV41, FV41-M or FV46)
- Variable output Rheostat
- Magnetic Snapdisc thermostat (not available for M-50, FV41, FV41-M and FV46)
- Air register
- Fireplace 8-6 duct reducer
- Duct adapter (straight)
- Duct adapter (elbow)

NOTE: Versiheat is to be used for supplemental heat only, not for primary heat.

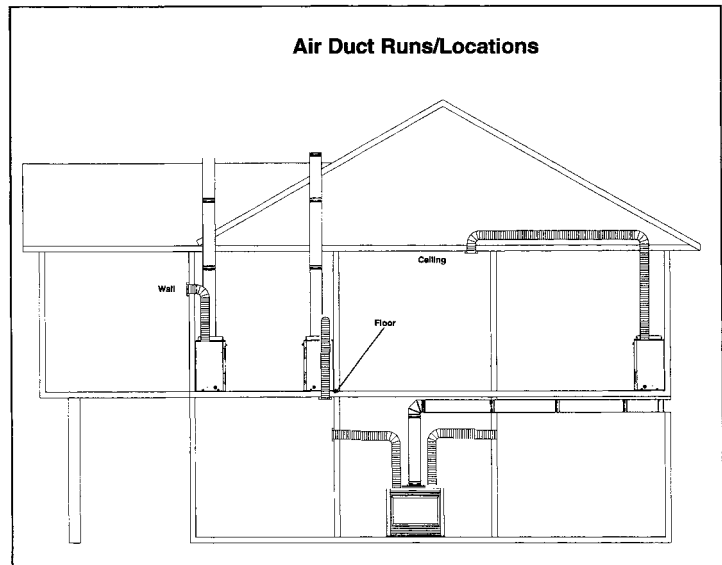


Figure 1

2. This kit is tested and safe when installed in accordance with this installation manual. It is your responsibility to read all instructions before starting installation and to follow these instructions carefully during installation.

3. Installation of this kit **MUST** be performed by a qualified service technician.

4. The Versiheat kit is carefully engineered and must be installed only as specified. If you modify it or any of its components you will void the warranty, and you may possibly cause a fire hazard. Installation must be done according to applicable local, state provincial, and/or national codes.

5. **CAUTION: All** wiring should be done by a qualified electrician and shall be in compliance with local codes and with the National Electric Code ANSI/NFPA No. 70-current (in the United States), or with the current CSC22.1 Canadian Electric Code (in Canada).

6. Plan the location of the fireplace and the warm air duct run(s).

MAXIMUM Duct Run= **25-ft.(7.6m)** for useful heat output.

MINIMUM Duct Run=**NA** - for runs out from the fireplace to adjacent room OR down to the room below.

NOTE: For maximum heat output use insulated ductwork (available through heating contractors). This is especially important when ductwork runs through cooler attic & crawl spaces.

INSTALLATION

1. Remove top standoff, outer cover plate insulation and inner cover plate from the top of the fireplace and discard it.
2. Center the duct reducer in the hole on the top of the fireplace.

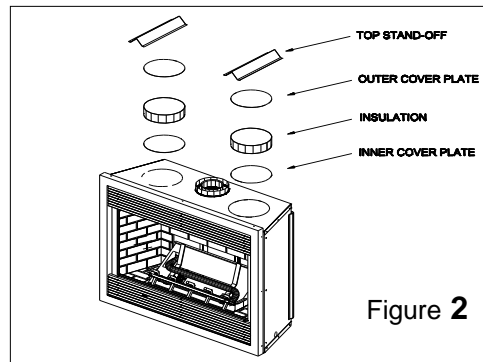


Figure 2

It is not necessary to seal around the 8-6 Reducer.

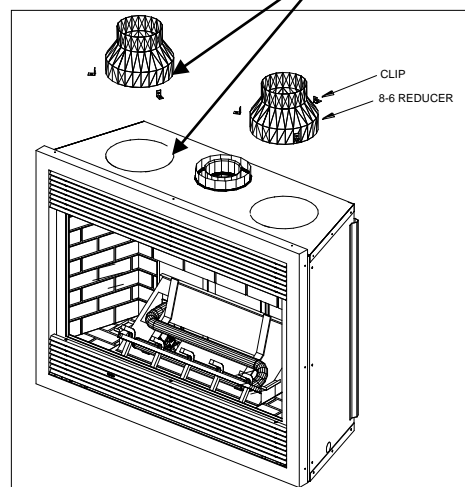
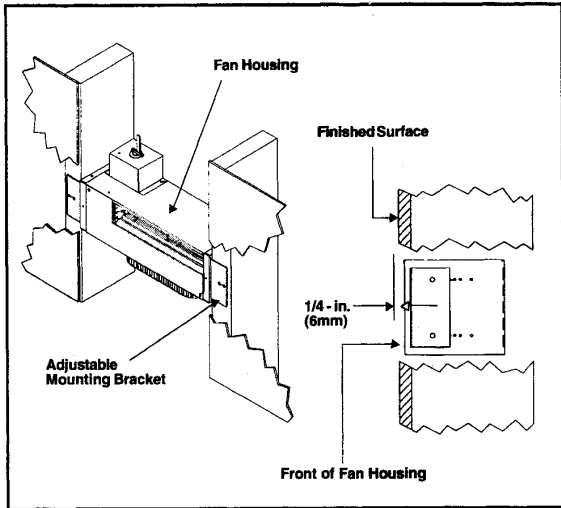


Figure 3

3. Determine the location for the air register/fan housing assembly. Cut a 6-in. x 14 - in. hole between framing members (wall studs or floor joists).
4. Mount and secure the fan housing assembly to framing members so the front surface is flush with the finished wall or floor surface. Use the adjustable mounting brackets and screws provided in the kit. See Figure 4.



NOTE: If the fan housing is installed in a 2 x 4 wall, the front of the housing will protrude approximately 1/2 - in. (13mm) out of the wall. See Figure 4.

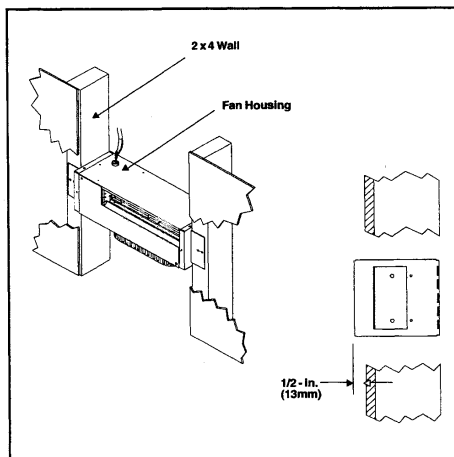
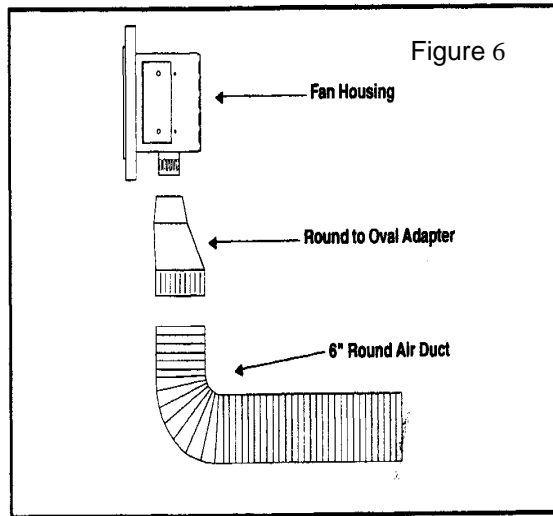


Figure 5

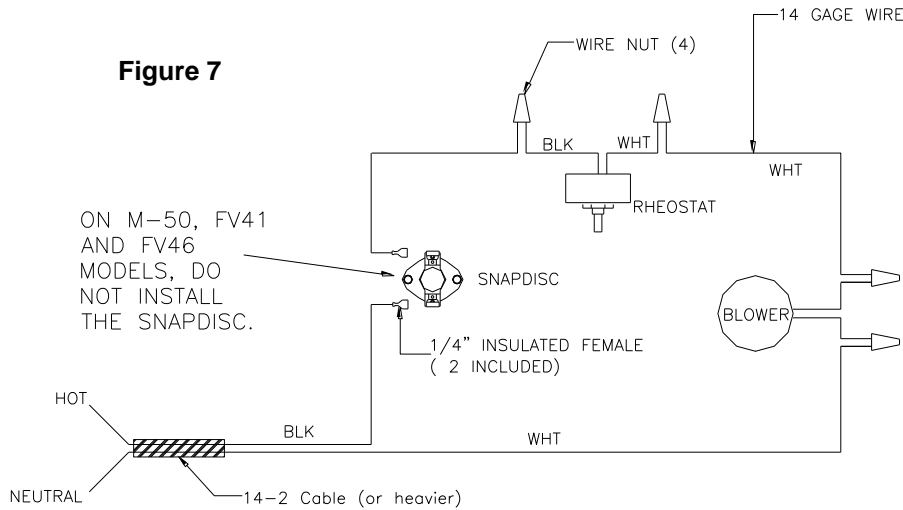
5. Install the air duct run. **NOTE:** The air duct has a zero clearance to combustible construction.

ROUND AIR DUCT: Attach the 6" round air duct (supplied in the fan kit) to the fireplace collar and run the duct to the fan housing. Attach the round-to-rectangular adapter to the fan housing and the air duct to the adapter. See Figure 6.

Fan Housing may be mounted with inlet opening on the top.



6. Install the variable speed (with "OFF" setting) wall Rheostat and the Millivolt Thermostat, **only for Standing Pilot System Equipped Models and PF1 control equipped models**, close together in a convenient location. The thermostat (**only for Standing Pilot System Equipped Models and PF1 control equipped models**) will control the fireplace function and the rheostat will control the Versiheat fan operation.
7. Run 18 gage solid copper wires from the Thermostat location to the gas valve's TH and THTP terminals. See Figure 8.
8. See Figure 7. On M-50, FV41, FV41-M or FV46 models, the Snapdisc installation does not apply. Wire 110 VAC service, as shown, first to the Snapdisc in the fireplace's valve cavity then to the wall rheostat and from the wall rheostat to the remote blower box. Attach the magnetic snap disk adjacent to the snapdisc that is factory installed in the fireplace. Make connections at the snapdisc using the 1/4" insulated female quick disconnects (provided). Use wire nuts to secure the 110 VAC service wires to the hot and neutral rheostat and fan wires and screw the 110 VAC ground wire to the fan junction box.



OPERATION

1. Start the fireplace per instructions and allow it to warm up.
2. For models with only the Rheostat capability, Turn the wall Rheostat "ON". The remote fan will turn on. Adjust the fan speed based upon desired airflow at the air duct register.
3. For models with the remote thermostat and snapdisc installed, Turn on the remote Wall Thermostat, Turn on the remote versiheat rheostat. The fireplace if not already turned on, will turn on and the versiheat fan will turn on once the snapdisc heats up, approximately 12-15 minutes.
4. **Only for Standing Pilot System Equipped Models and PF1 control equipped models**, the fireplace will be controlled using this thermostat and another switch or thermostat that is installed in the room where the fireplace is located. All switches or thermostats connected to the fireplace can turn the fireplace on. All switches and thermostats must be in the OFF position for the fireplace to turn off.

MAINTENANCE

1. Service and maintain the gas fireplace per instructions.
2. Keep the air register(s) clean and free of any blockages.

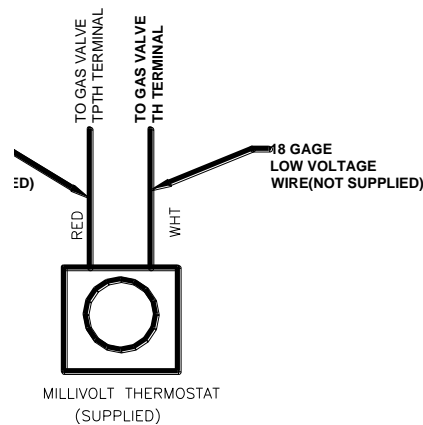


Figure 8

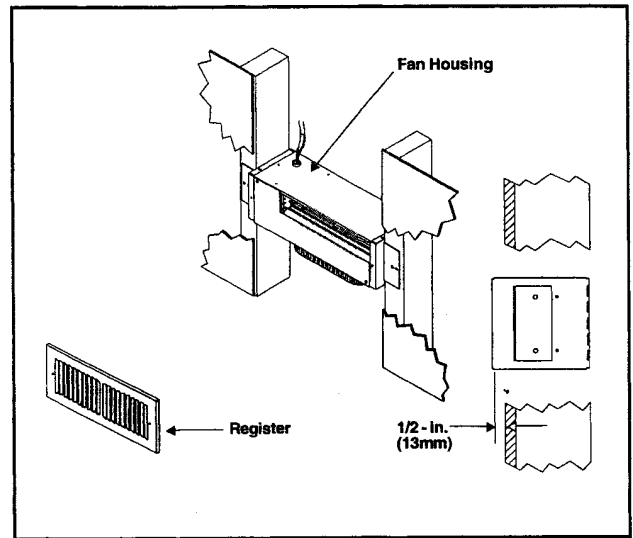


Figure 9