



## The *FlexFire* Gas Log Insert

**MENDOTA**  
AMERICA'S LUXURY FIREPLACE

A DRAMATIC GAS LOG FIRE WITH HEAT - ONLY WHEN YOU WANT IT



Imagine, with your hectic schedules, coming home to an inviting and convenient log fire that gives you warmth only when you want it.

At the touch of a remote, you have the flexibility of a romantic fire **all year long** - without any circulated heat - or switch on the blower, and heat is produced for those chilly nights.

*Flex-Fire* is designed and built by Johnson Gas Appliance Co., a leading producer of high quality gas furnaces and appliances since 1901 and the creator and manufacturer of the popular Mendota line of luxury gas fireplaces and inserts. You benefit from over a century of gas engineering experience and a tradition of quality and performance.

## FlexFire Puts Gas Logs to Work - When You Want It!

The FlexFire Fireplace Insert combines the beauty and convenience of gas logs with the selectable warmth of a gas room heater. Heat from the FlexFire goes into the room (at your choice) - not always up the chimney like gas logs.

### FlexFire Inserts Are Easy to Install and Operate

FlexFire is only 30-1/2 w x 24" h. It's easy and inexpensive to install. It quickly slides into factory built or masonry fireplaces - *without the need for an additional chimney liner.*

Its big, dramatic split oak log fire lights and operates from a remote control, including lighting the pilot and adjusting the heat and flames. A unique high temperature ceramic burner maintains a realistic log fire at all settings - from romantic, slowly burning embers on low settings to a roaring fire on Hi. Cold chimney downdrafts are eliminated with the revolutionary damper control (patent pending).

### Enjoy the flexibility of a dramatic fire - all year long

FlexFire provides a realistic fire without heat output for those times when heat is not wanted or needed. Simply switch on the standard variable speed blower, and warmth is produced and circulated into your room. Order the optional glass window panel to increase efficiency.



Nickel Bentley Doors shown

### FlexFire Features

- Built by Johnson, a company with over a century of gas engineering experience.
- Wood log fire beauty and ambiance.
- All Mendota elegant designer fronts and doors are available.
- Warm, convection air warmth—only when you want it.
- Simple slide-in installation—no liner.
- Damper control eliminates drafts when not in use. Safety interlock prevents burner operation with damper in closed position. (patent pending)
- Remote controlled variable flames - from 35,000 to 62,000 BTUH.
- Automatic variable speed blower allows wide range of heat output.
- Operates during power failure.
- Remote spark pilot—no matches.
- Big dramatic, open viewing area - glass panel is optional.
- Approved for most fireplaces.

## FEATURES AND SPECIFICATIONS

### Aluminized steel heat plenum

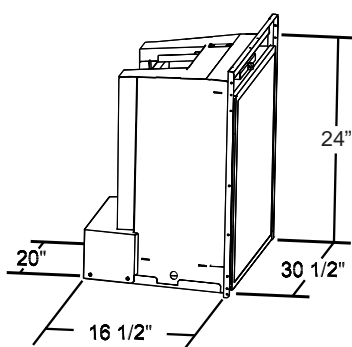
Compact size slides into most fireplaces (no additional chimney liner required)



### Easy to use variable speed blower and remote flame controls

All beautiful facings and popular doors that are featured on Mendota Luxury Fireplaces are available on FlexFire.

(Prairie Doors with Gold Overlay shown)



Patent Pending

<b>BTUH:</b>	35,000 TO 62,000
<b>Flue Requirements:</b>	7" min. dia., 20 ft. min. ht. (Chimney must meet national and local codes for gas fired, vented appliances)
<b>Pilot System:</b>	Remote Electronic Ignition
<b>Safety Controls:</b>	AGA/CGA Certified
<b>Safety Tested:</b>	Intertek to Decorative Gas Stds.
<b>Shipping Weight:</b>	95 lbs

#### STANDARD:

High Definition Logs w/Grate  
Coals & Embers  
Ceramic Burner  
Variable Speed Blower  
Remote Flame Control

#### OPTIONS:

Mendota Facings & Doors;  
Three sizes of Faceplates & Surrounds;  
Glass Panel;  
Firebrick Lining- Rapids Rock,  
Antique Red, Aged Sandstone

**MENDOTA**  
AMERICA'S LUXURY FIREPLACE

www.mendotahearth.com  
e-mail: info@mendotahearth.com

Your Exclusive Mendota Dealer: